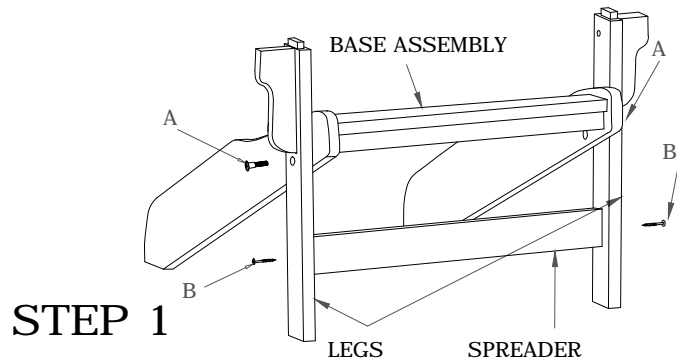


SHORELINE ADIRONDACK CHAIR

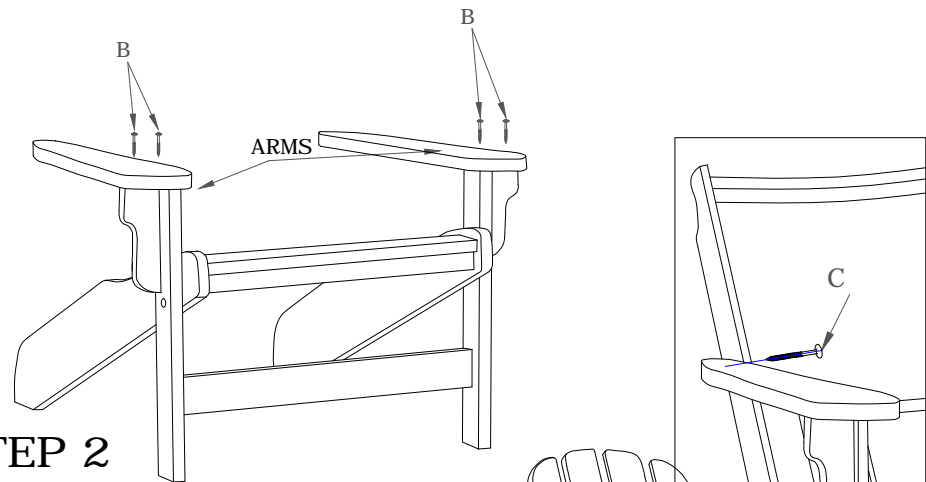
AD-0100

BREEZESTA tm
Recycled Poly Furniture



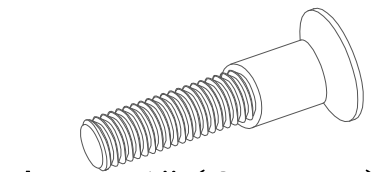
STEP 1

Attach spreader to legs with screws (B) as shown. Bolt legs to base assembly using bolts (A).

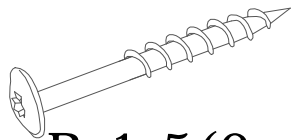


STEP 2

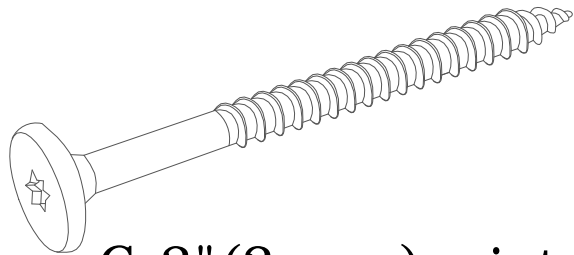
Fit arms on top of legs and attached with screws (B) through top as shown.



A- 1.5" (6 pcs.)



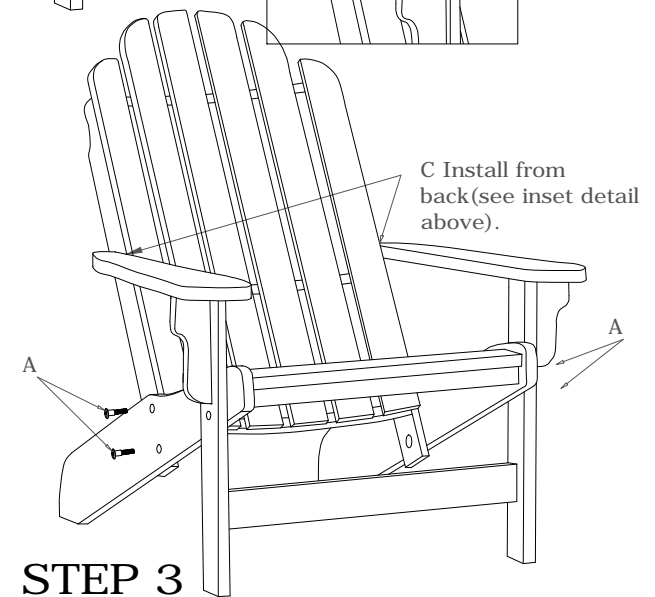
B- 1.5 (6 pcs.) painted



C- 3" (2 pcs.) painted

LIST OF PARTS

- Back Assembly (1)
- Base Assembly (1)
- Legs (2)
- Spreader (1)
- Arms (1R) (1L)
- Chair Bolts "A" (6)
- Colored Screws "B" (6)
- Colored Screws "C" (2)
- Insert Bit Tool (1)



STEP 3

Bolt back assembly to base assembly using 2 bolts (A) on each side as shown. Attach arm to seat back using Large Head Screws (C).