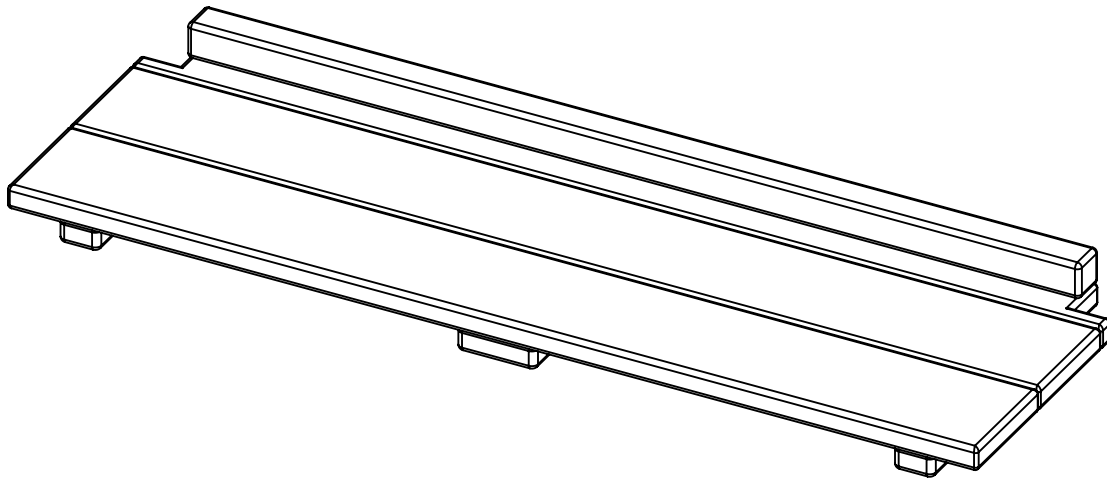
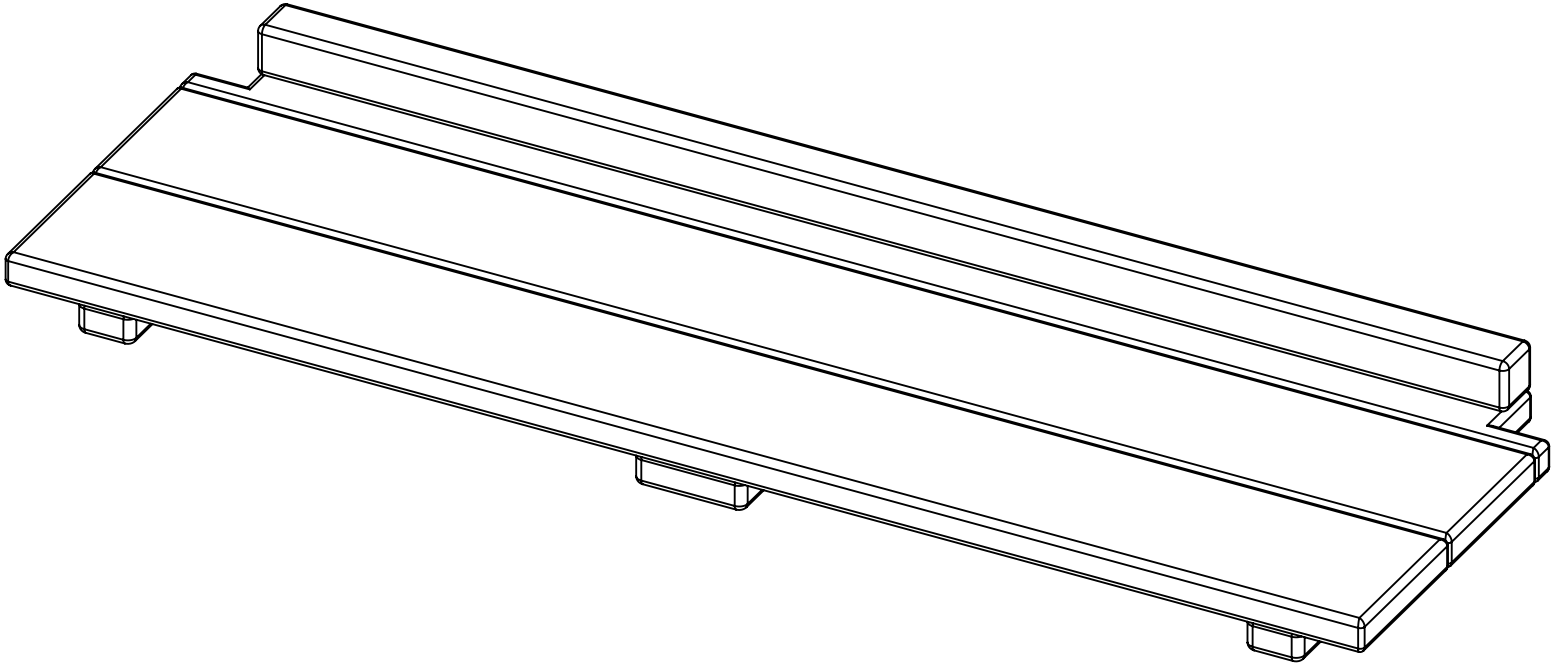


breezesta™

TERRACE TABLE SHELF
AC-9904



REV00-1/19

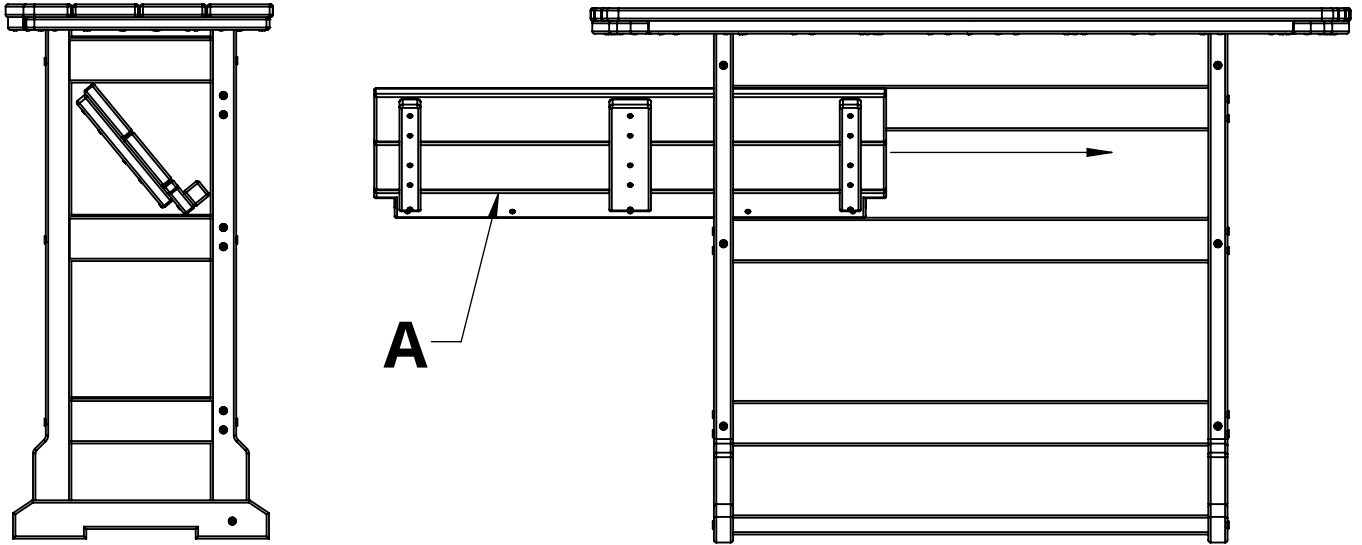


PARTS			
PART	DESCRIPTION	PART NO.	QTY
A	TERRACE TABLE SHELF	AC-9904	1

Suggested Tools: Drill, Plastic Mallet

Please read entire instructions before beginning

- 1.** Rotate Part A as shown below;
push through the Terrace Table until it is flush with the opposite side



- 2.** Rotate Part A until it rests as shown

