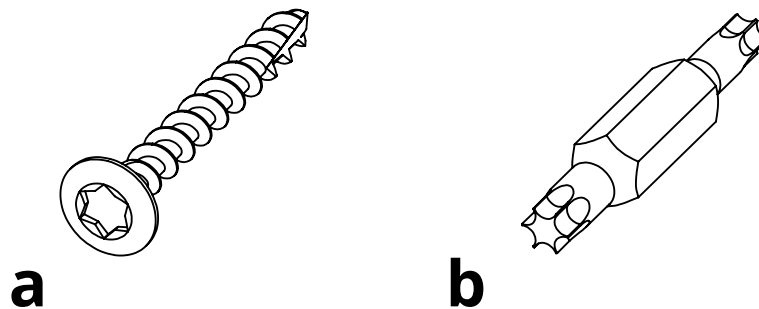


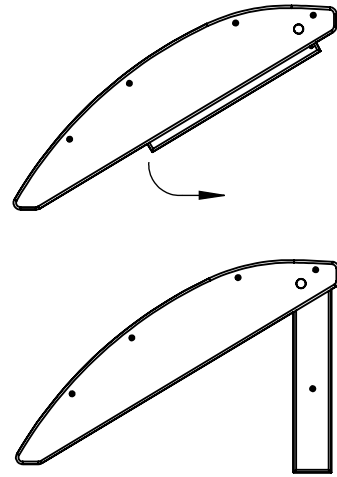
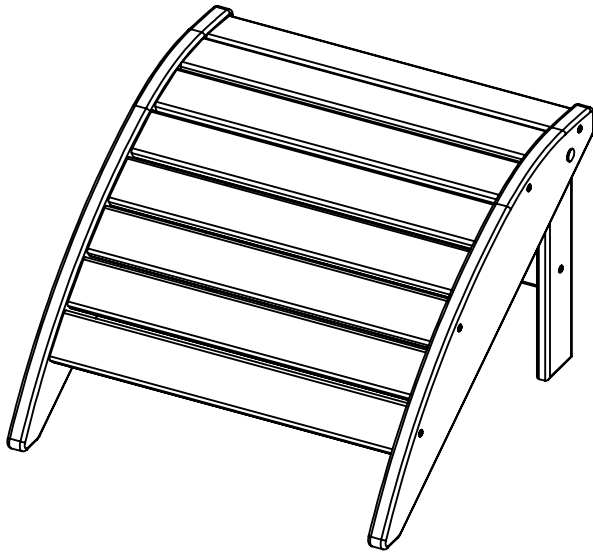
| PARTS | | | |
|--------------|--------------------|-----------------|------------|
| PART | DESCRIPTION | PART NO. | QTY |
| A | BASE ASSEMBLY | SA-00145 | 1 |



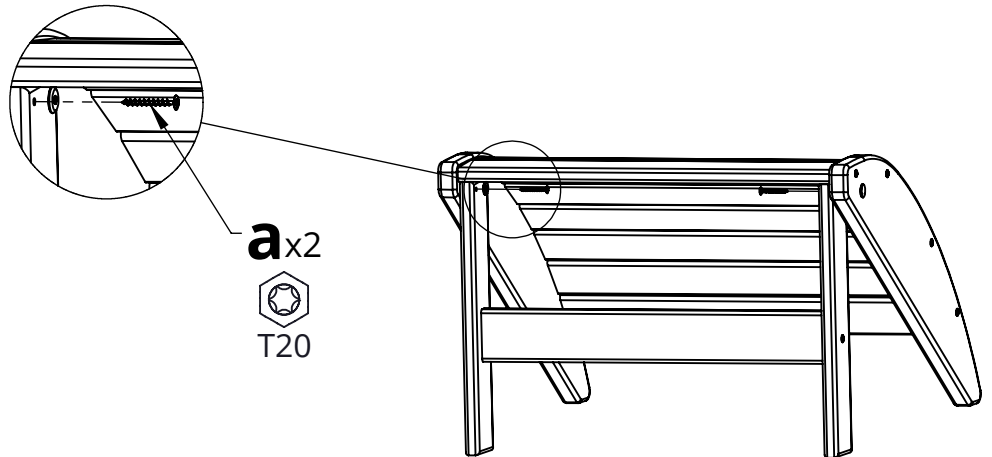
| HARDWARE | | | |
|-----------------|------------------------|-----------------|------------|
| PART | DESCRIPTION | PART NO. | QTY |
| a | #8 X 1-1/2" TORX SCREW | H-0000-S815 | 2 |
| b | T20 & T25 TORX BIT | H-0000-CTD | 1 |

Suggested Tools: Drill

Please read entire instructions before beginning



- 1.** Remove Part A from the box and pivot the legs down as shown



- 2.** Secure the legs with Hardware a