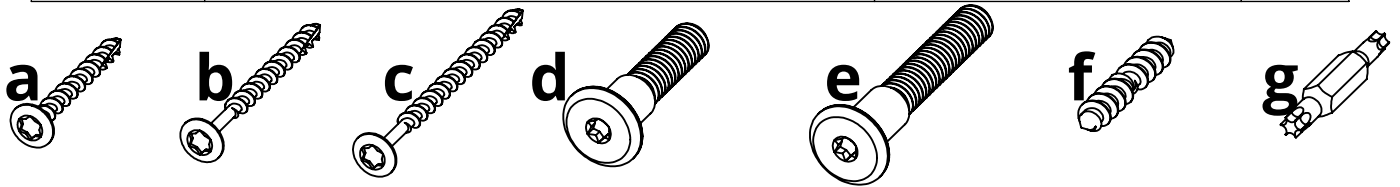


PARTS

PART	DESCRIPTION	PART NO.	QTY
A	FRONT LEG ASSEMBLY	SA-00101	2
B	UNDER ARM SUPPORT	PRT-00146	2
C	LEFT BACK LEG ASSEMBLY	SA-00102	1
D	RIGHT BACK LEG ASSEMBLY	SA-00103	1
E	LEFT ARM ASSEMBLY	SA-00458	1
F	RIGHT ARM ASSEMBLY	SA-00459	1
G	SEAT ASSEMBLY	SA-00094	1
H	DOUBLE COASTAL GLIDER SPREADER	SS-34.5	3
I	STOP BAR	PRT-00197	1
J	BASE SIDE RAIL	PRT-00422	2
K	LEFT BASE FOOT ASSEMBLY	SA-00420	2
L	RIGHT BASE FOOT ASSEMBLY	SA-00419	2
M	SEAT SUPPORT	PRT-00184	1
N	CENTER BACK ASSEMBLY	SA-00097	1
O	LEFT BACK ASSEMBLY	SA-00095	1
P	RIGHT BACK ASSEMBLY	SA-00096	1

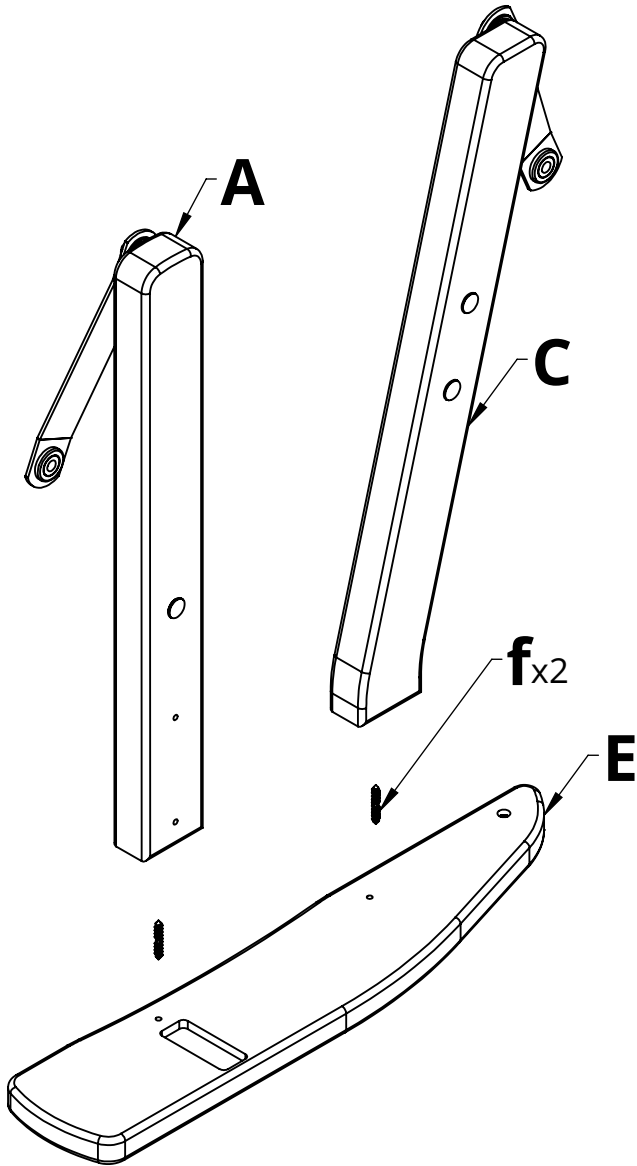


HARDWARE

PART	DESCRIPTION	PART NO.	QTY
a	#8 X 1-1/2" TORX SCREW	H-0000-S815	2
b1	#8 X 2" TORX SCREW-FRAME COLOR	H-0000-S82	18
b2	#8 X 2" TORX SCREW-UNPAINTED	H-0000-S82	5
c	#8 X 2-1/2" TORX SCREW	H-0000-S825	4
d	5/16" X 1-1/2" CHAIR BOLT	H-0000-CB51615	10
e	5/16" X 2-1/8" CHAIR BOLT	H-0000-CB516218	14
f	DOUBLE SCREW	H-0000-DS	4
g	T20 & T25 TORX BIT	H-0000-CTD	1

Suggested Tools: Drill, Plastic Mallet

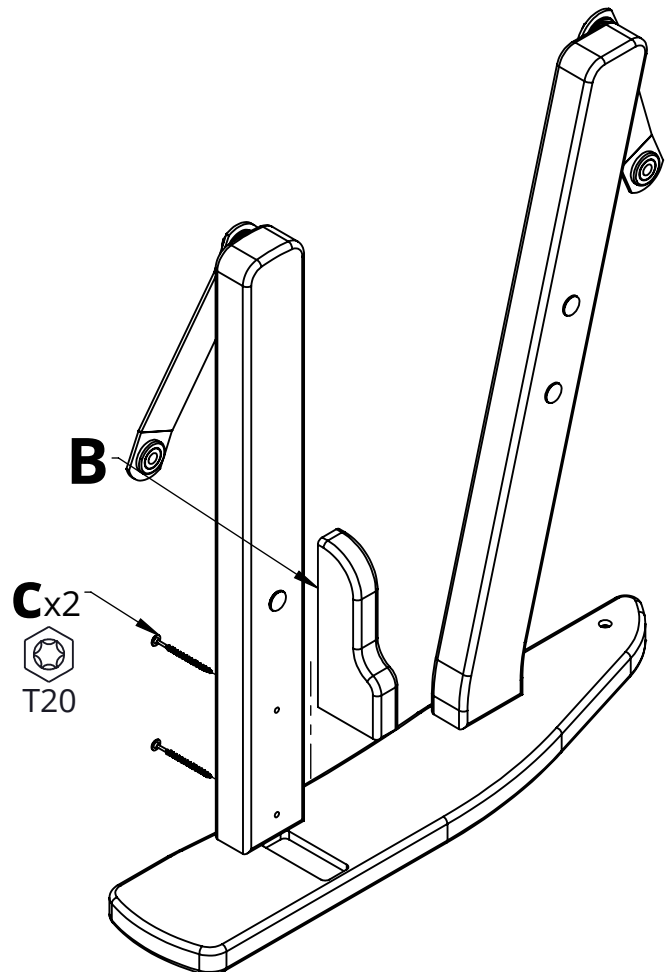
Please read entire instructions before beginning

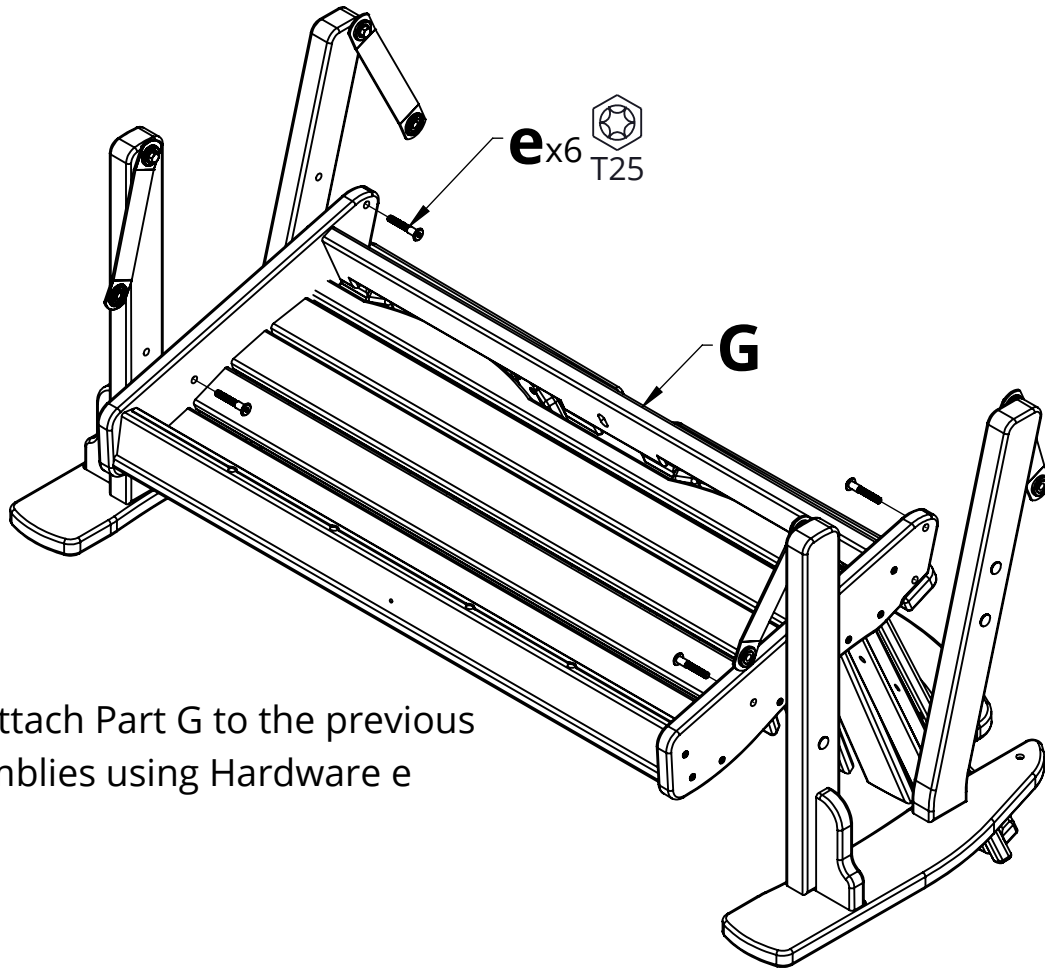


- 1.** Starting with Part C, attach Parts C & A to Part E by inserting Hardware f into the pre-drilled holes and rotating clockwise, stopping when the assembly is tight

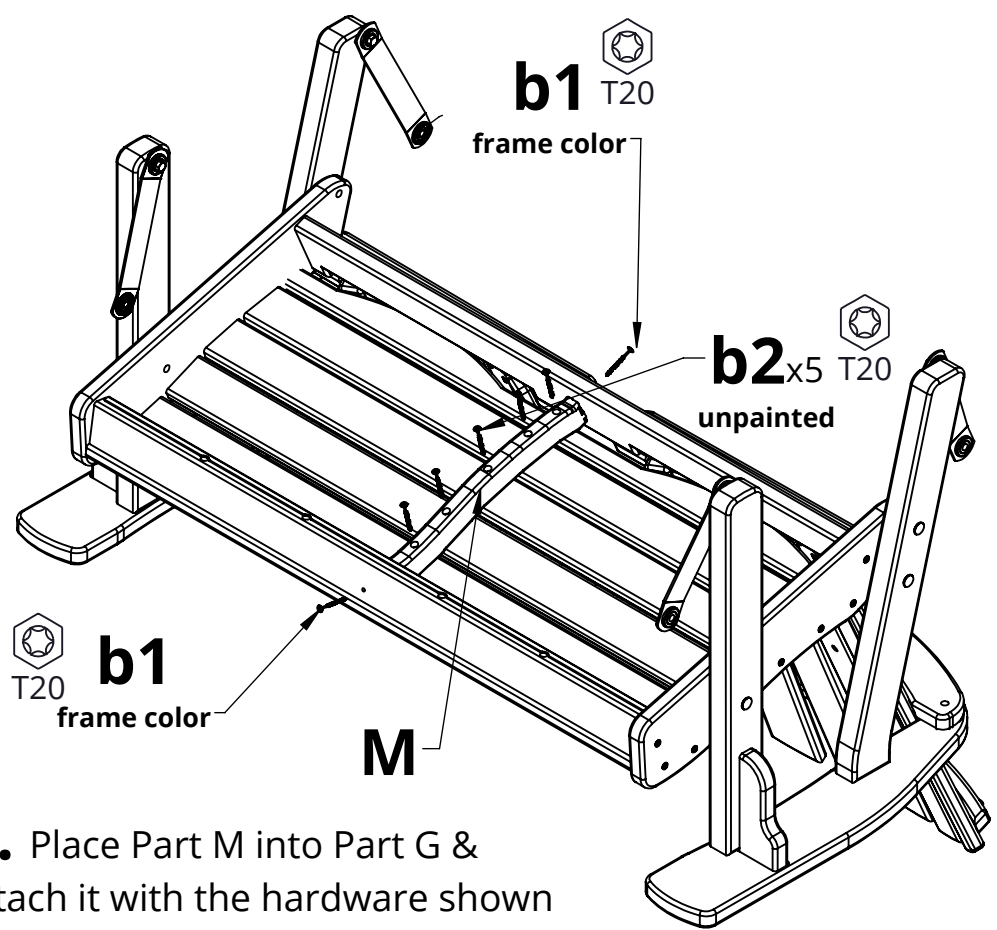
- 2.** Place Part B into the pre-cut slot and attach with Hardware c

- 3.** Repeat Steps 1 & 2 with Parts A, B, F, D

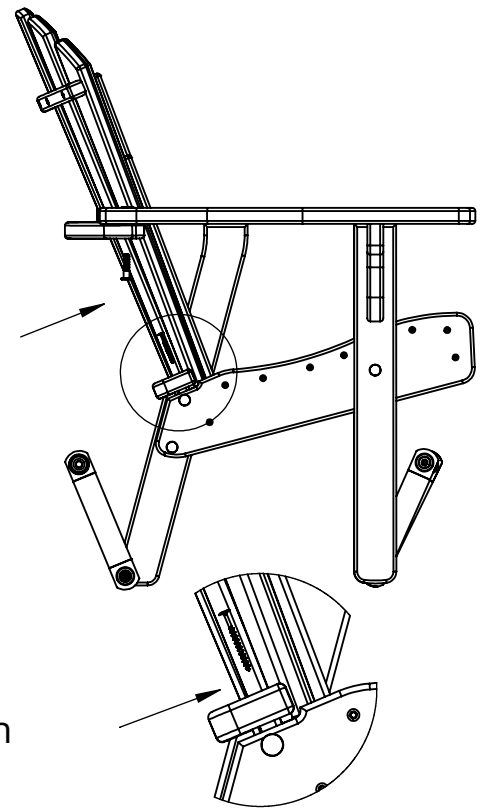
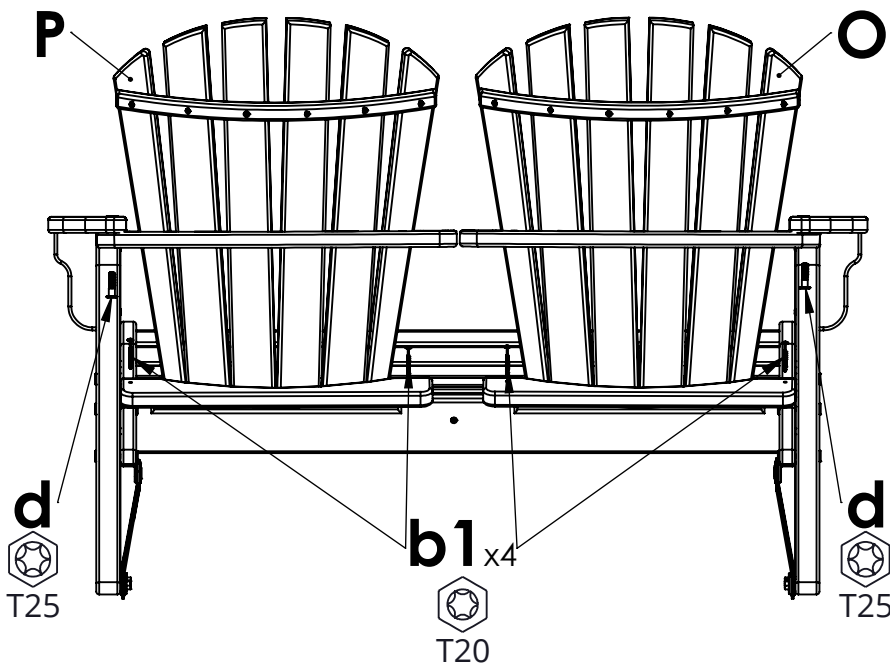




4. Attach Part G to the previous assemblies using Hardware e

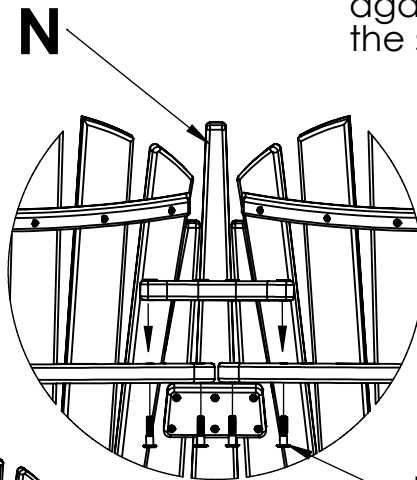


5. Place Part M into Part G & attach it with the hardware shown



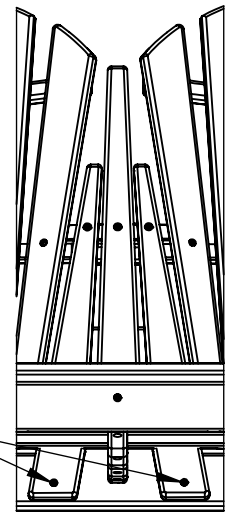
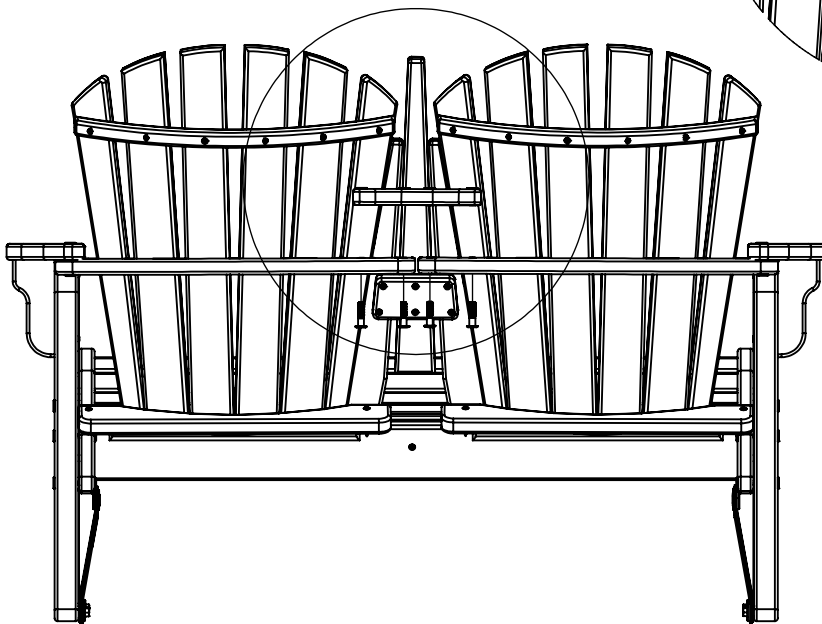
Push seat backs against notch in the side rail

6. Slide Parts O & P into the assembly & attach as shown

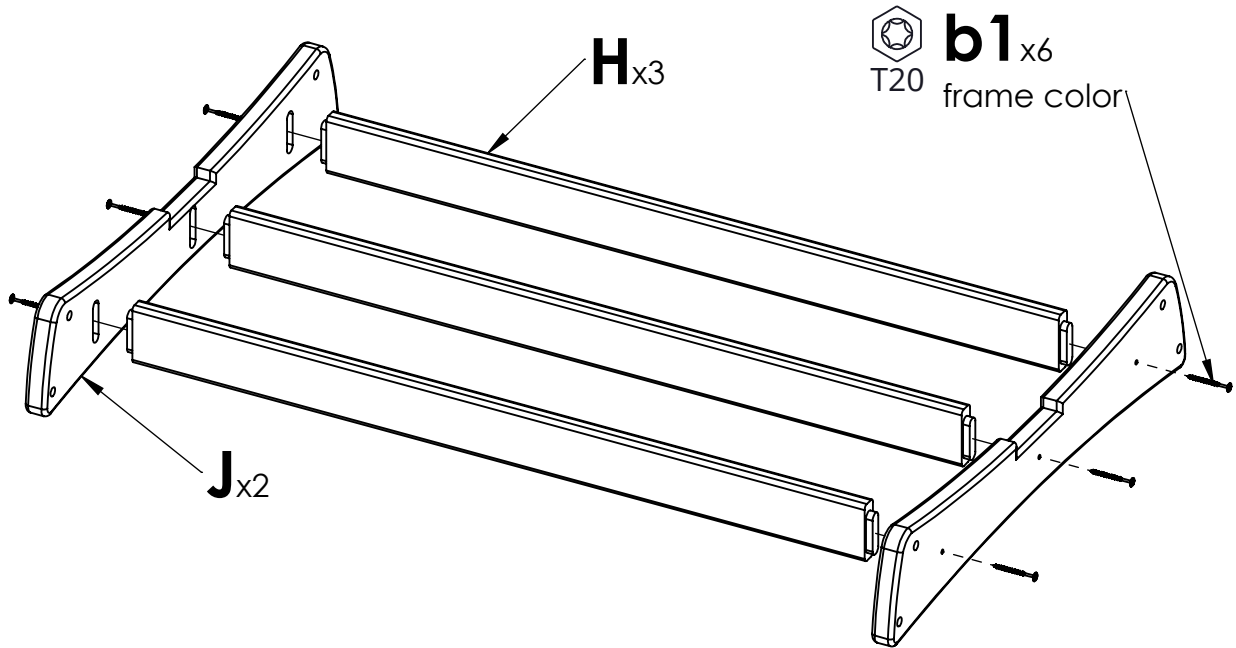


7. Slide Part N between Parts O & P into the assembly & attach as shown

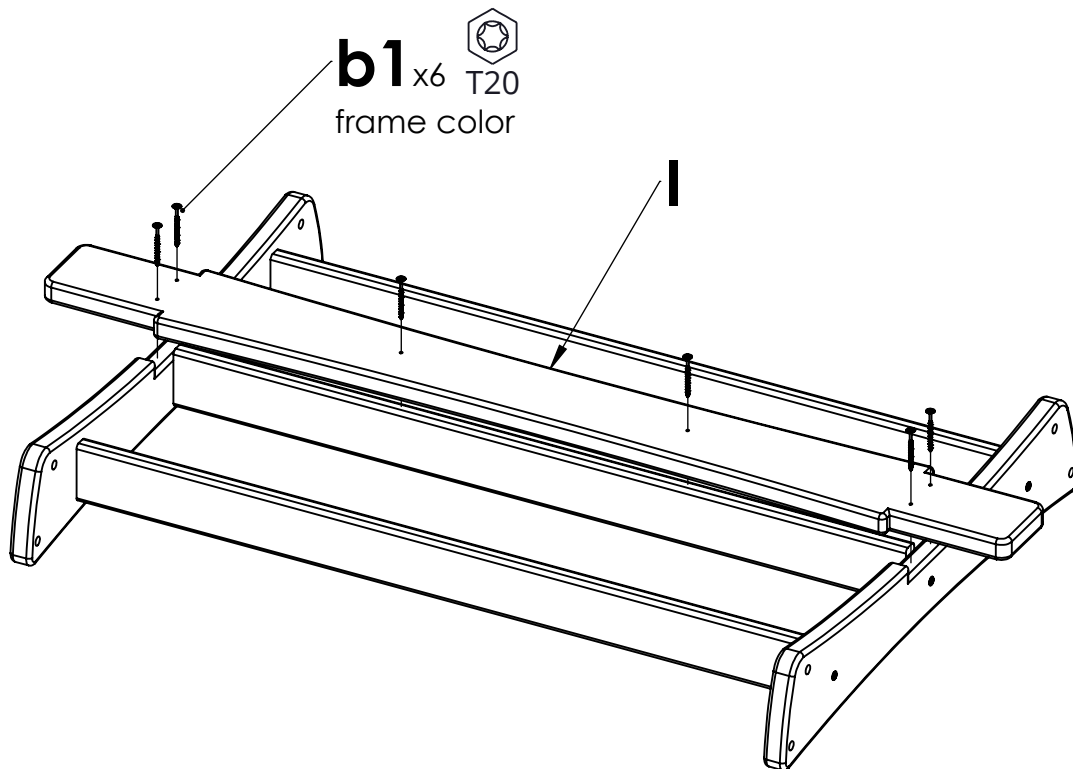
Back View



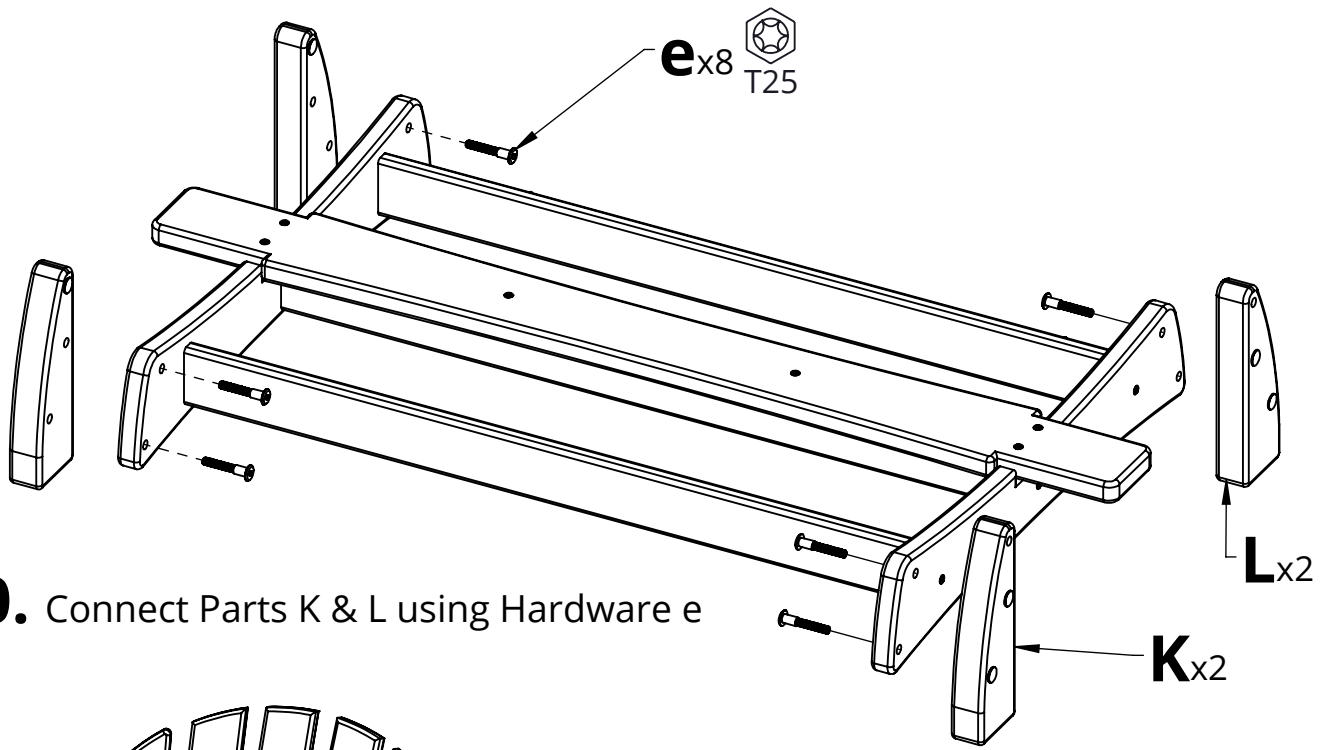
Front View



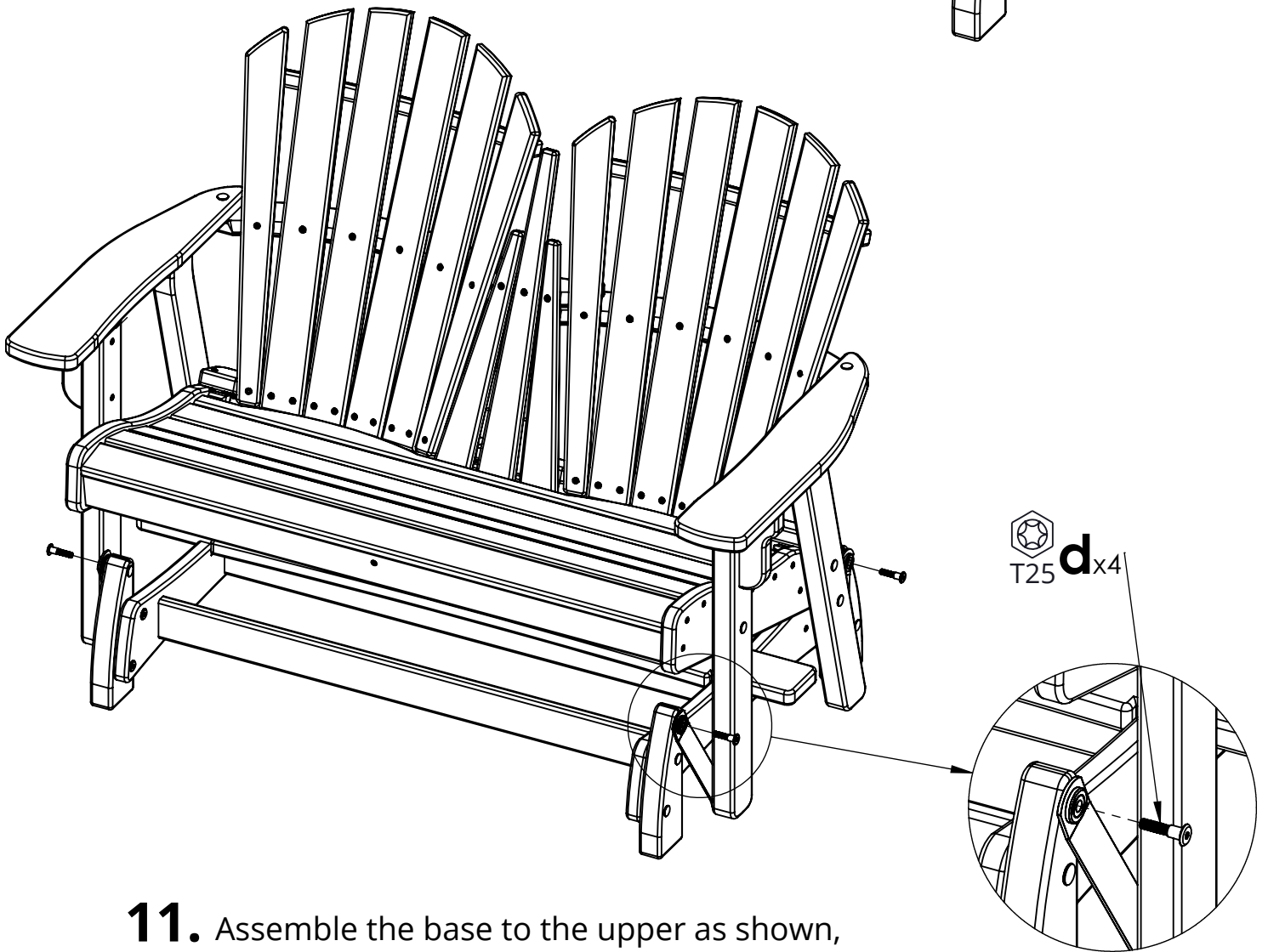
8. Connect Parts H to Parts J using Hardware b



9. Attach Part I to the previous assembly



10. Connect Parts K & L using Hardware e



11. Assemble the base to the upper as shown, starting from the front & moving to the back