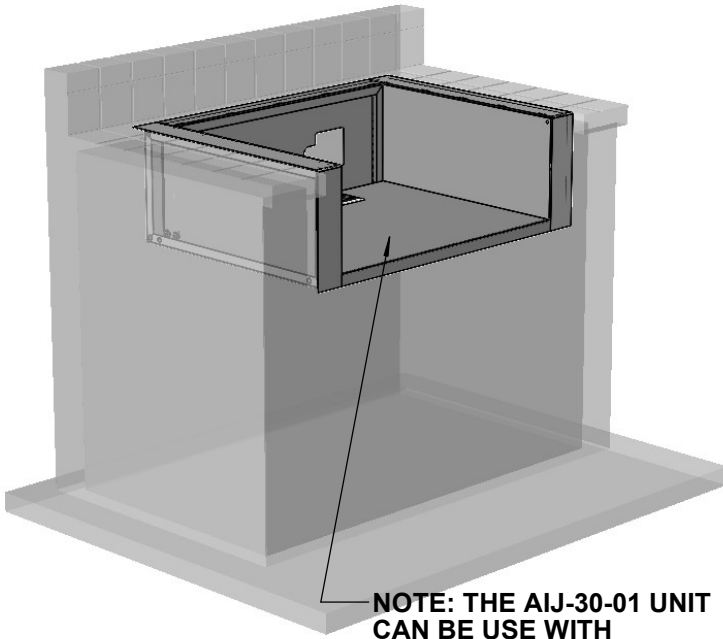
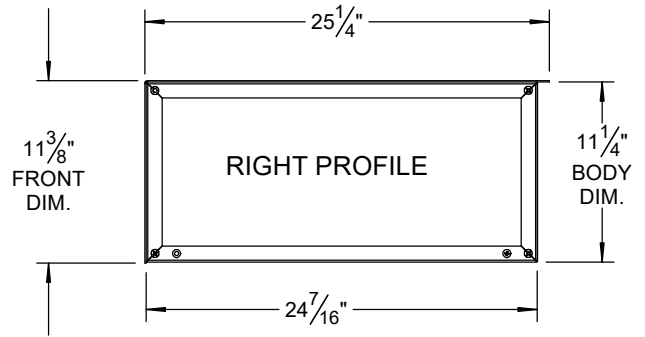
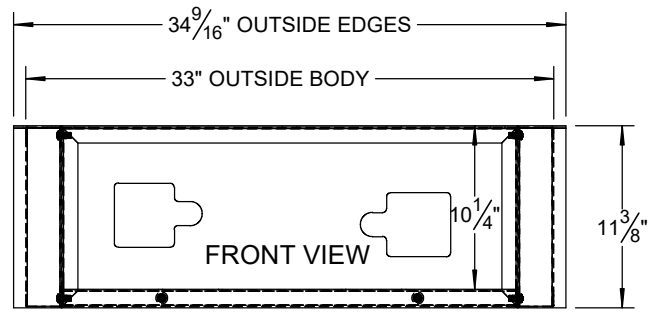


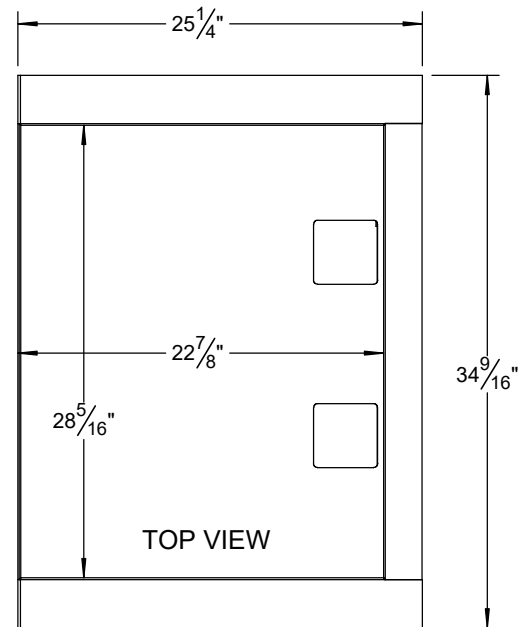
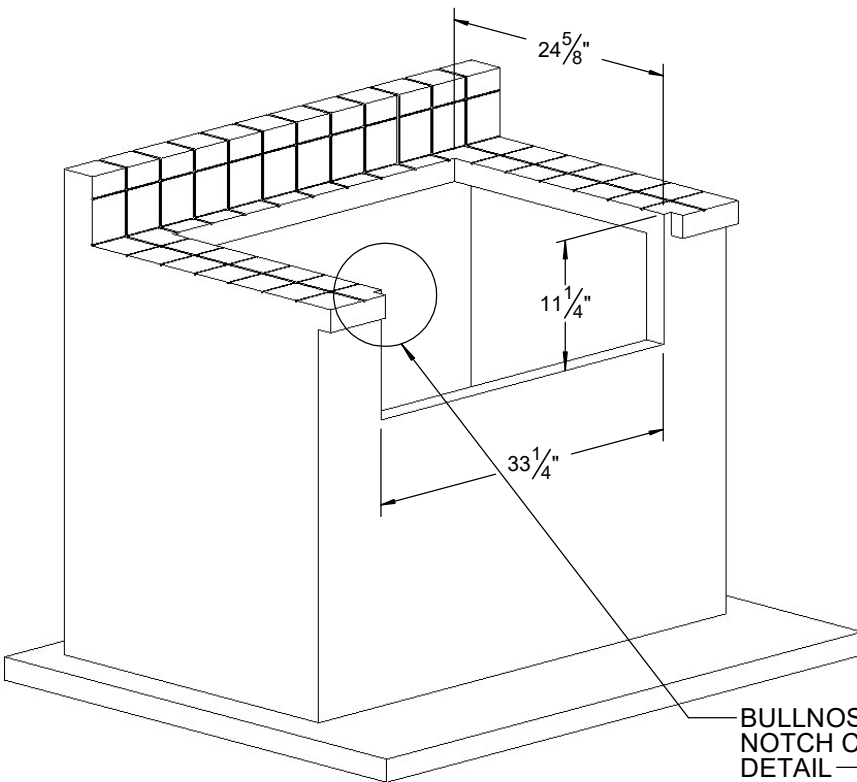
AIJ-30-01 TYPICAL INSTALLATION



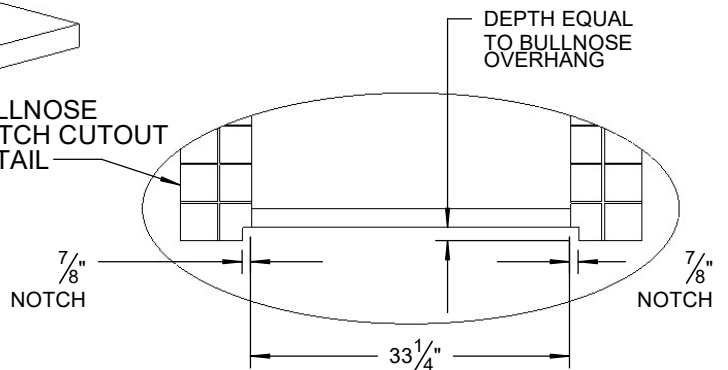
NOTE: THE AIJ-30-01 UNIT CAN BE USE WITH BOTH THE ALXE 30" GRILL AND THE AXE-30GT GRIDDLE.



COUNTER CUTOUT REQUIREMENTS



BULLNOSE NOTCH CUTOUT DETAIL



NOTE:

COUNTER MUST HAVE THE PROPER ELECTRICAL AND GAS SUPPLY FOR YOUR APPLIANCE MODEL. REFER TO YOUR UNIT'S MANUAL AND SERIAL PLATE FOR MORE INFORMATION.



SUPERIOR EQUIPMENT SOLUTIONS
7039 EAST SLAUSON AVENUE
COMMERCE, CA. 90040

THE INFORMATION CONTAINED IN THIS DRAWING IS THE SOLE PROPERTY OF SUPERIOR EQUIPMENT SOLUTIONS INC. ANY REPRODUCTION IN PART OR AS A WHOLE WITHOUT WRITTEN PERMISSION FROM SUPERIOR EQUIPMENT SOLUTIONS, INC. IS PROHIBITED.

DRAWN BY: Jorge Pelayo
CREATED: August 10, 2023

PROJECT TITLE: AIJ-30

DRAWING TITLE:

AIJ-30-01 INSULATED JACKET SPECIFICATIONS

DRAWING NO.:
AIJ-30-01 SPEC SHEET