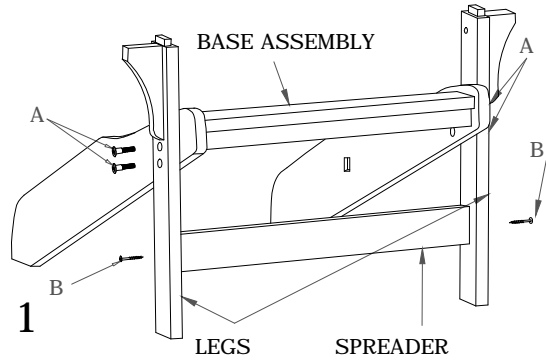


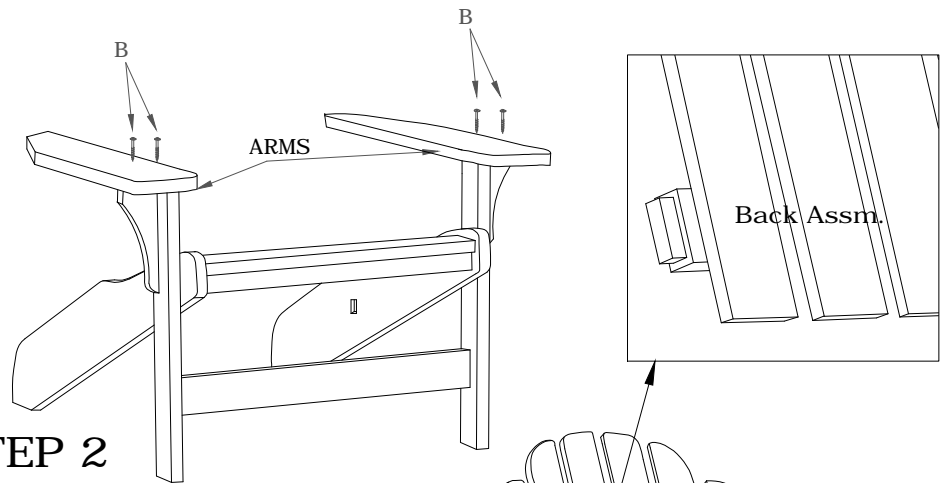
# BB -100 ADIRONDACK

## BB-100



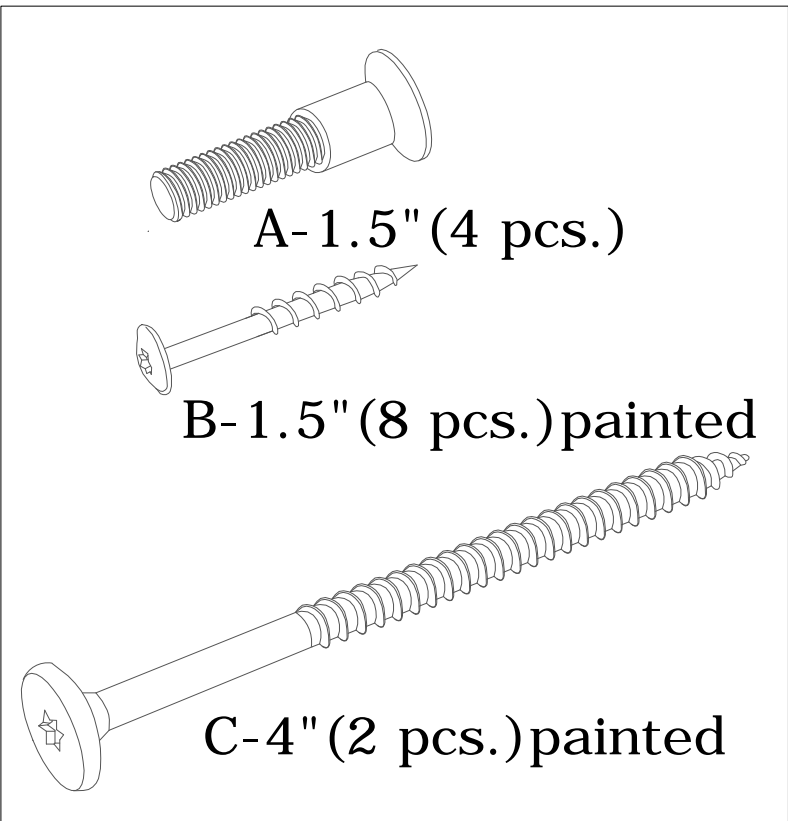
### STEP 1

Attach spreader to legs with screws (B) as shown. Bolt legs to base assembly using bolts (A).



### STEP 2

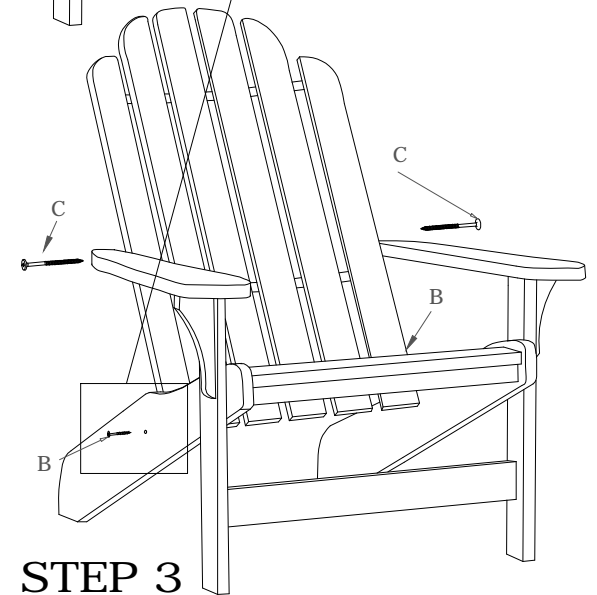
Fit arms on top of legs and attached with screws (B) through top as shown.



# BREEZESTA <sup>tm</sup>

## Recycled Poly Furniture

- LIST OF PARTS  
Back Assembly (1)  
Base Assembly (1)  
Legs (2)  
Spreader (1)  
Arms (1R) (1L)  
Chair Bolts "A" (4)  
Colored Screws "B" (8)  
Colored Screws "C" (2)  
Insert Bit Tool (1)



### STEP 3

Fit Back Assembly into mortise pockets on insides of Base Assembly. Secure with screws (B) as shown. Attach Arms to seat back using Large Head Screws (C).