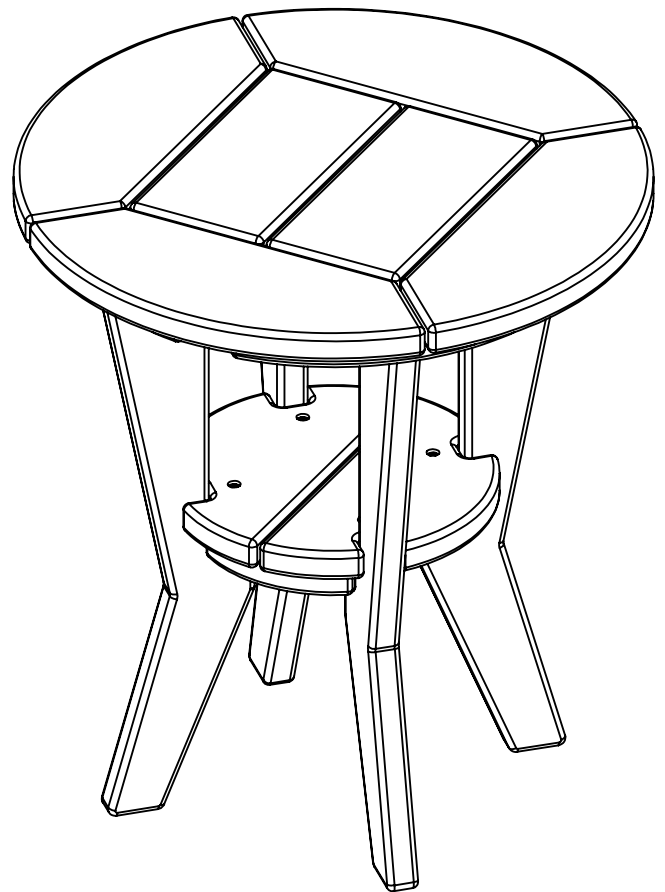
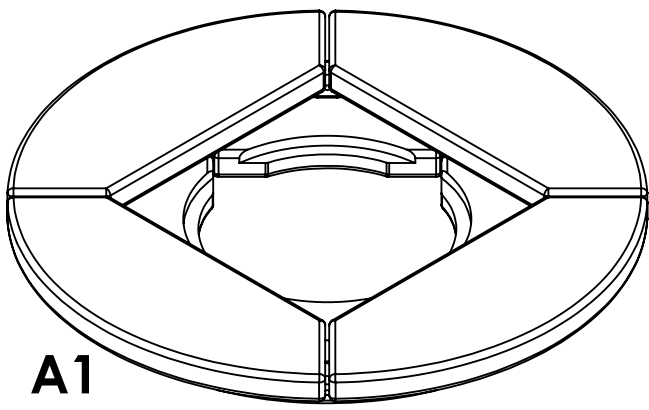


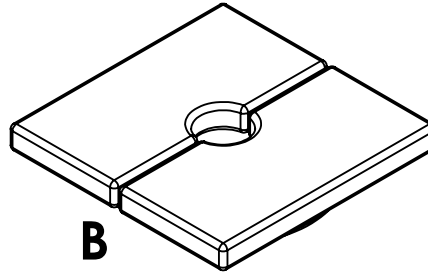
**CI-1801
Chill Side Beverage Table**



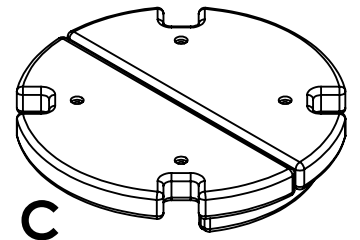
**CI-1804
Chill Side Table**



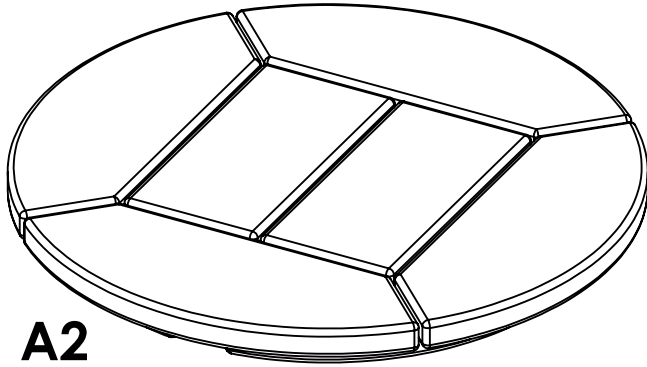
A1



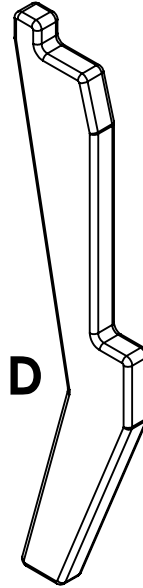
B



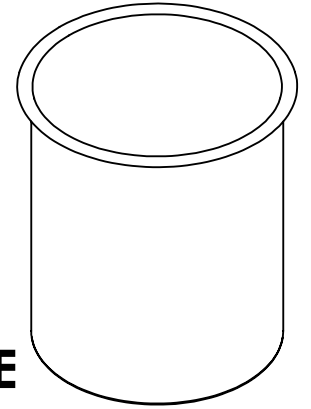
C



A2

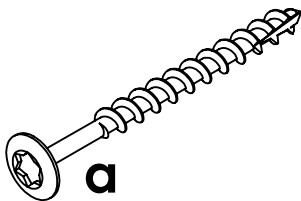


D

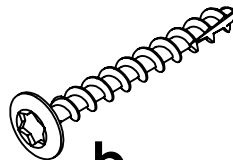


E

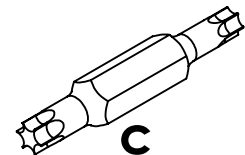
PARTS				
PART	DESCRIPTION	PART NO.	CI-1801	CI-1804
A1	TABLE TOP ASSEMBLY	SA-00431	1	-
A2	TABLE TOP ASSEMBLY	SA-00445	-	1
B	TOP INSERT ASSEMBLY	SA-00432	1	-
C	MIDDLE SUPPORT ASSEMBLY	SA-00433	1	1
D	LEG	PRT-00775	4	4
E	WINE BUCKET INSERT	H-0000-WB	1	-



a

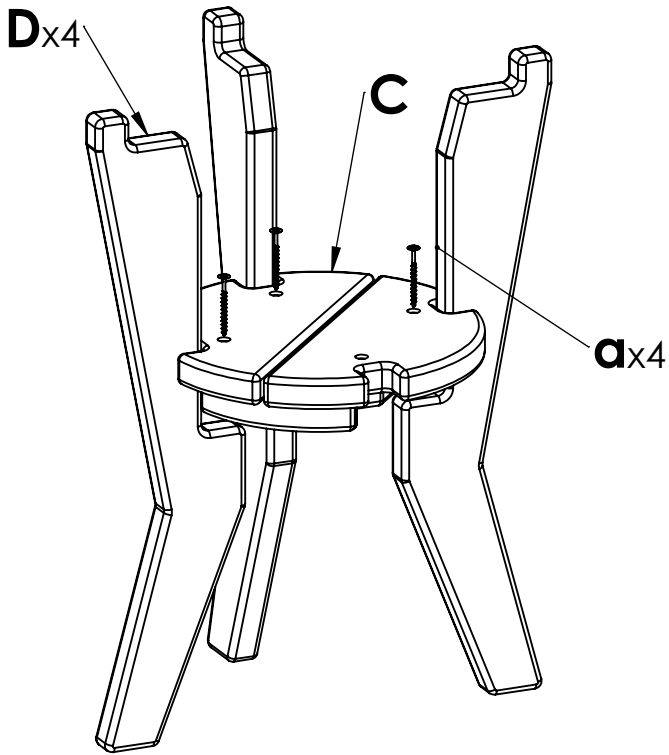


b



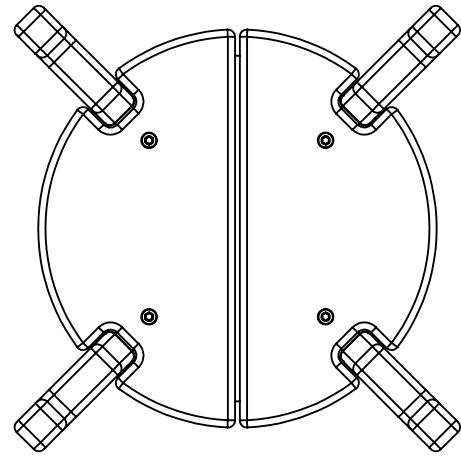
c

SA-00442 HARDWARE KIT			
PART	DESCRIPTION	PART NO.	QTY.
a	#8 x 2" TORX SCREW	H-0000-S82	4
b	#8 x 1-1/2" TORX SCREW	H-0000-S815	4
c	T20 &T25 TORX BIT	H-0000-CTD	1



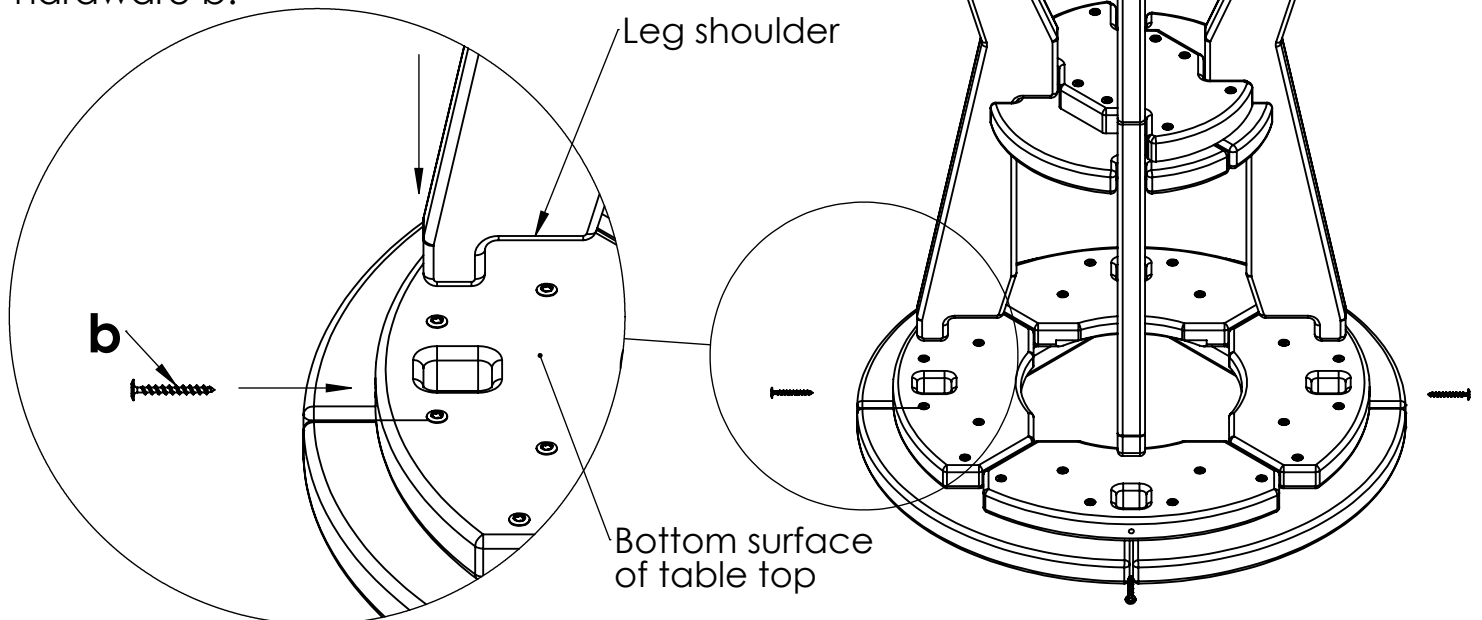
*One leg not shown for clarity

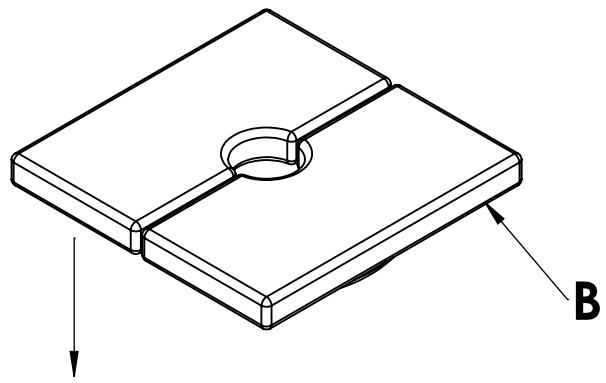
1. Start with a leg (D) and the Middle Support (C). Holding the leg in a corresponding slot in the Middle support, fasten the leg using (1) of hardware a. The ledge of the leg should be against the bottom of the Middle Support and the leg should be pushed against the inside of the slot. Repeat for all four legs.



TOP VIEW

2. Place the Table Top Assembly (A1 or A2) upside down on a non-marring surface. Turn the leg assembly from the previous step and push the tops of the four legs into the four slots in the bottom of the table top. Make sure the shoulder of the leg is firmly against the table bottom. Fasten using (4) of hardware b.





For Side Beverage Table Only

3. Turn the assembled table onto its feet. Slide the Wine Bucket Insert (E) into the hole in the center of the table. Place the Top Insert (B) into the table.

