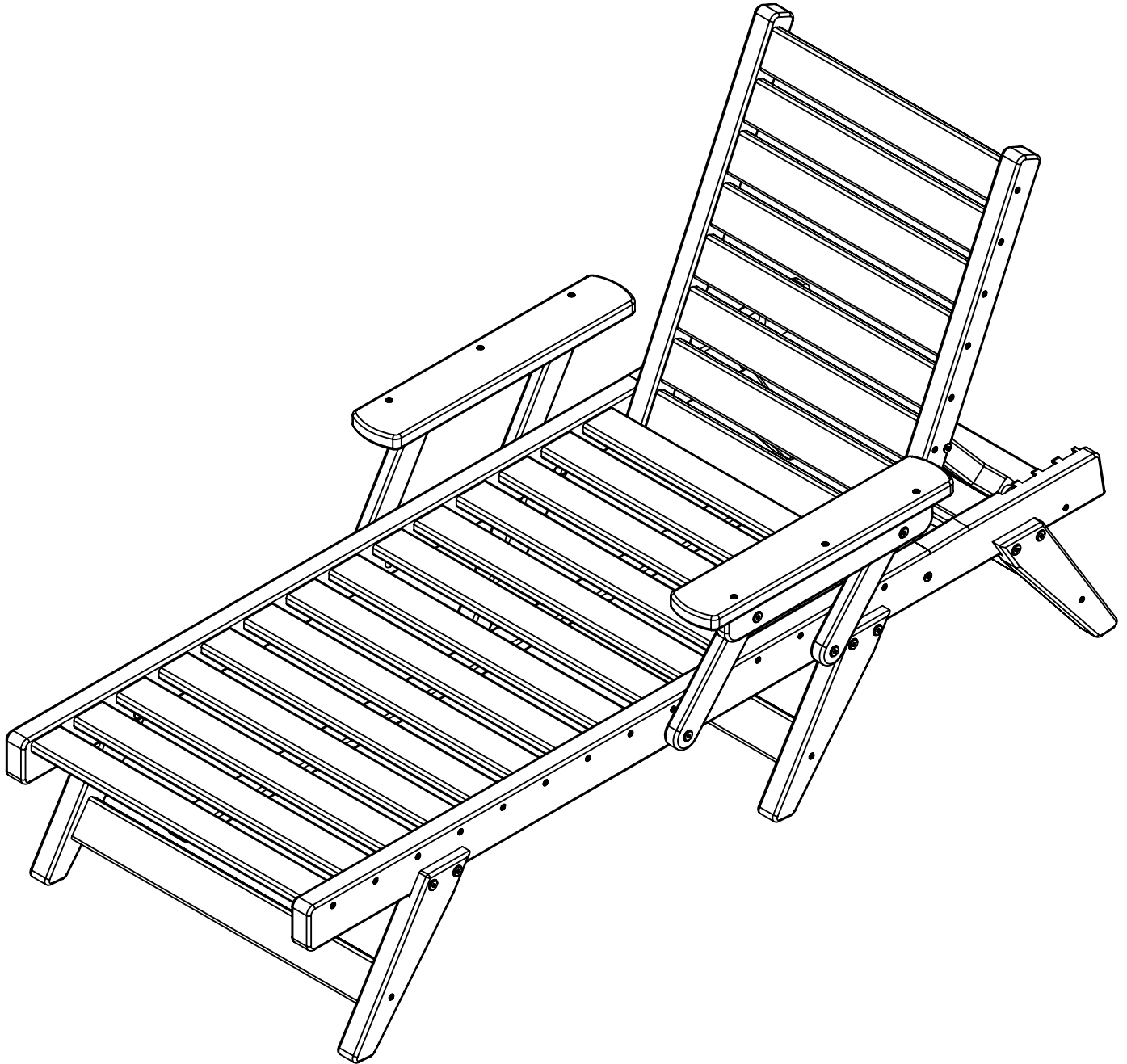


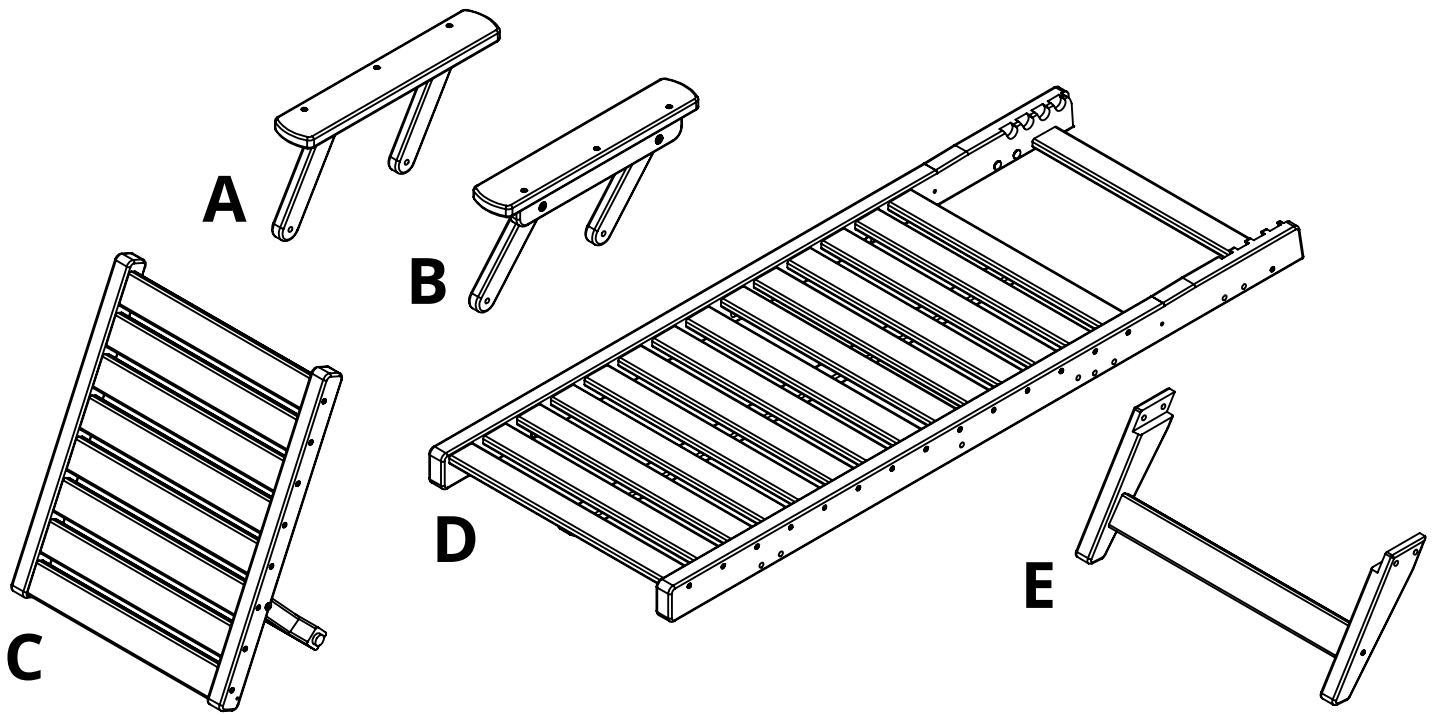
breezesta™

# CHAISE LOUNGE CHAIR

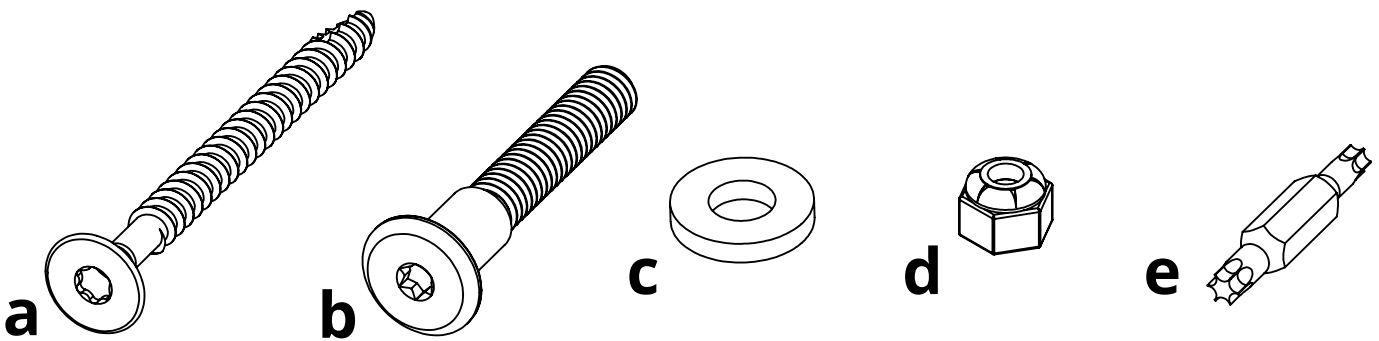
CL-1200



REV01-4/21



<b>PARTS</b>			
<b>PART</b>	<b>DESCRIPTION</b>	<b>PART NO.</b>	<b>QTY</b>
A	LEFT ARM ASSEMBLY	SA-00133	1
B	RIGHT ARM ASSEMBLY	SA-00134	1
C	SEAT BACK ASSEMBLY	SA-00132	1
D	SEAT ASSEMBLY	SA-00131	1
E	LEG ASSEMBLY	SA-00130	3

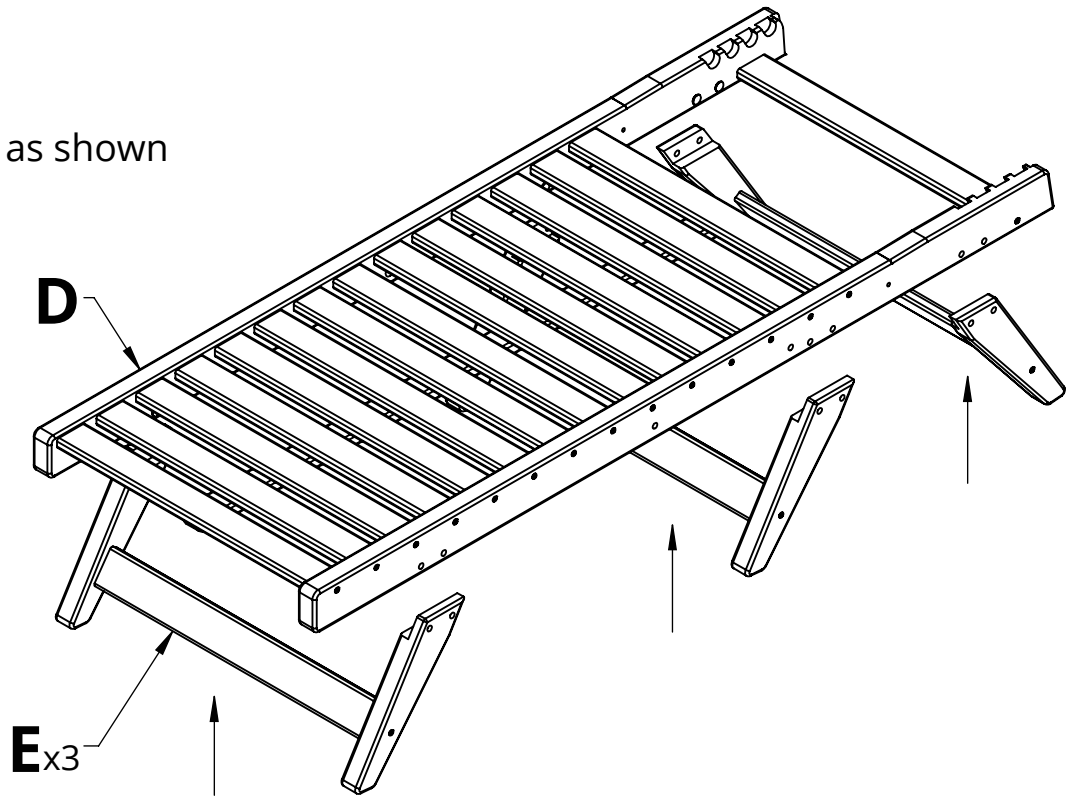


<b>HARDWARE</b>			
<b>PART</b>	<b>DESCRIPTION</b>	<b>PART NO.</b>	<b>QTY</b>
a	1/4"-10 X 3" LAG SCREW	H-0000-S103	2
b	5/16" X 2-1/8" CHAIR BOLT	H-0000-CB516218	16
c	LARGE WHITE NYLON WASHER	H-0000-LWNW	6
d	5/16" STAINLESS LOCK NUT	H-0000-LN516	4
e	T20 & T25 TORX BIT	H-0000-CTD	1

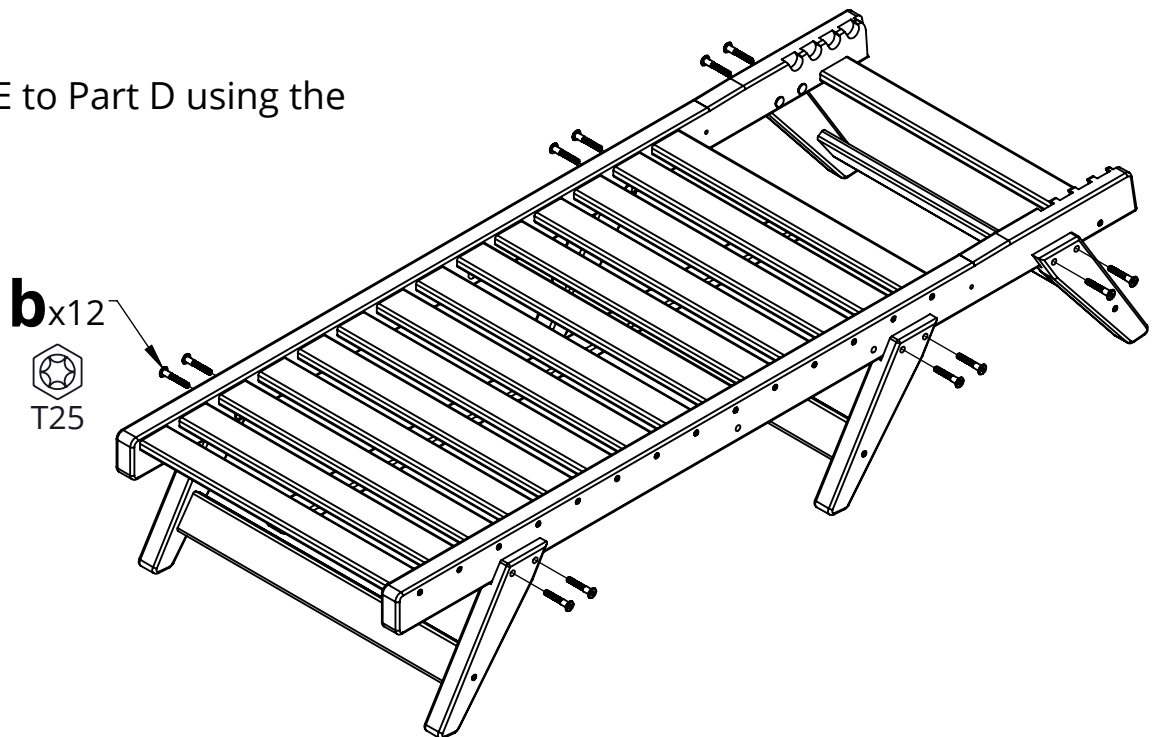
**Suggested Tools:** Drill, Plastic Mallet

# *Please read entire instructions before beginning*

- 1.** Place Parts E onto D as shown

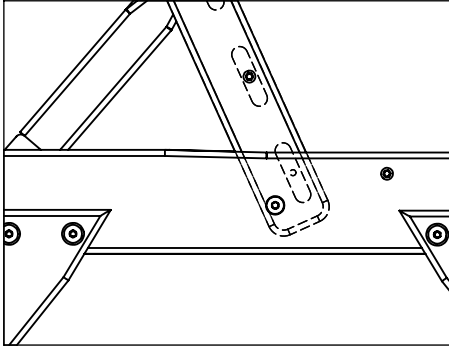


- 3.** Attach Parts E to Part D using the hardware shown

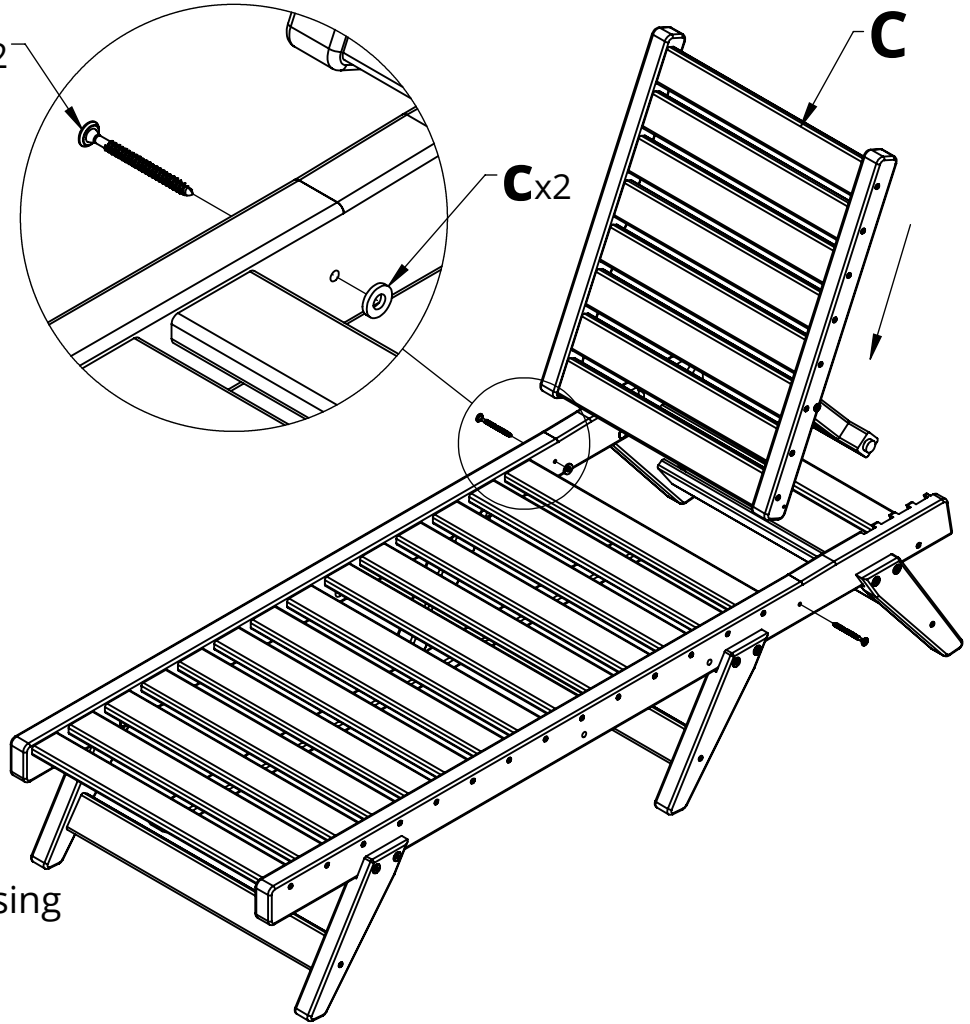


\*Do not overtighten hardware 'a' this may cause adjuster bar misalignment

**a**x2  
  
 T25

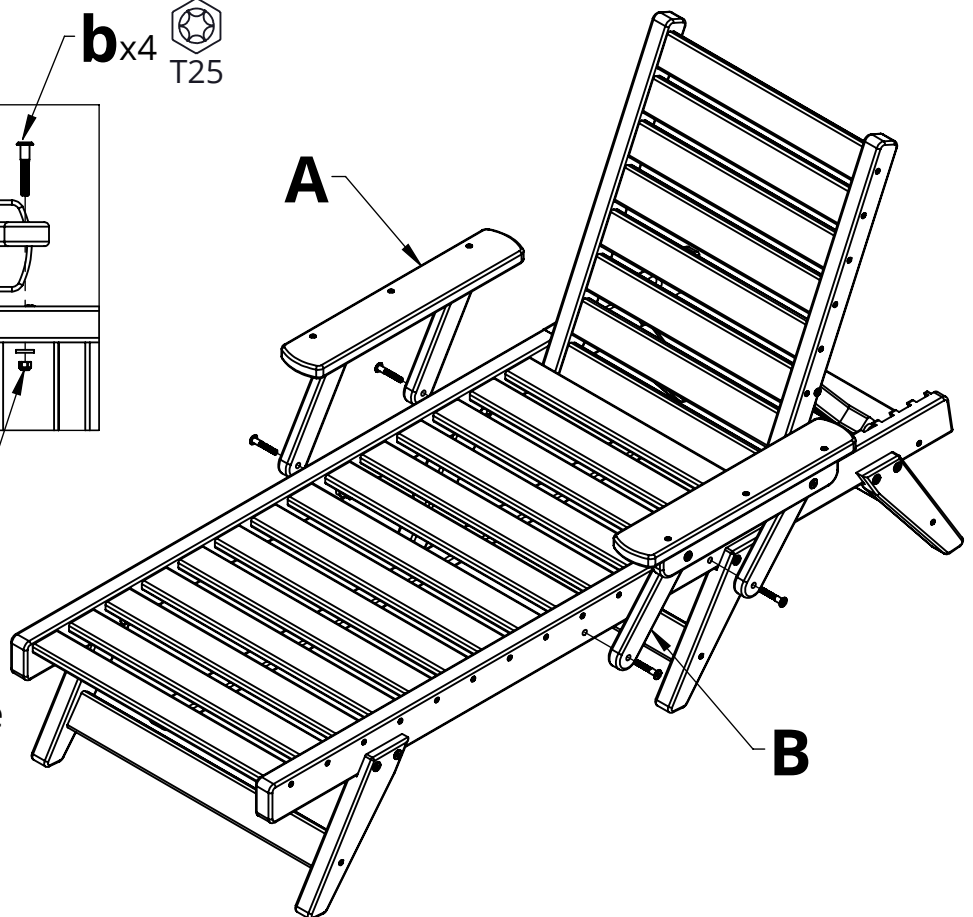
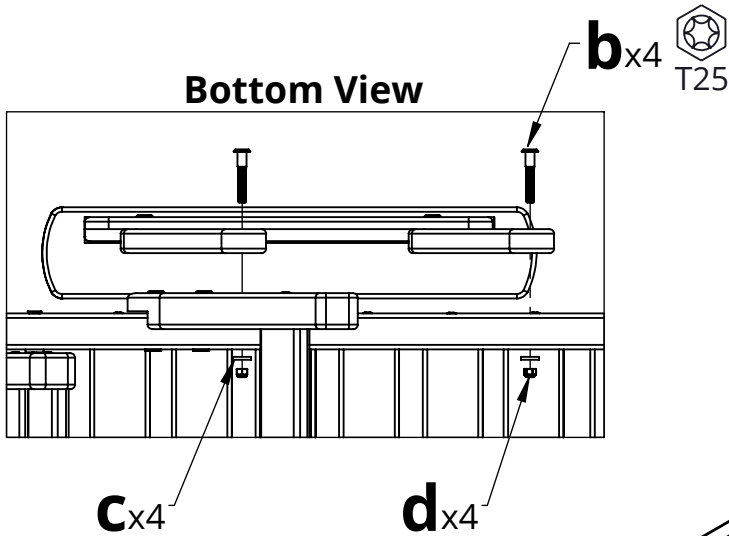


**Side View**



**3.** Drop Part C into place and secure it using Hardware a & c using the pre-drilled holes

**Bottom View**



**4.** Place Parts A & B onto the assembly and attach it using the hardware as shown