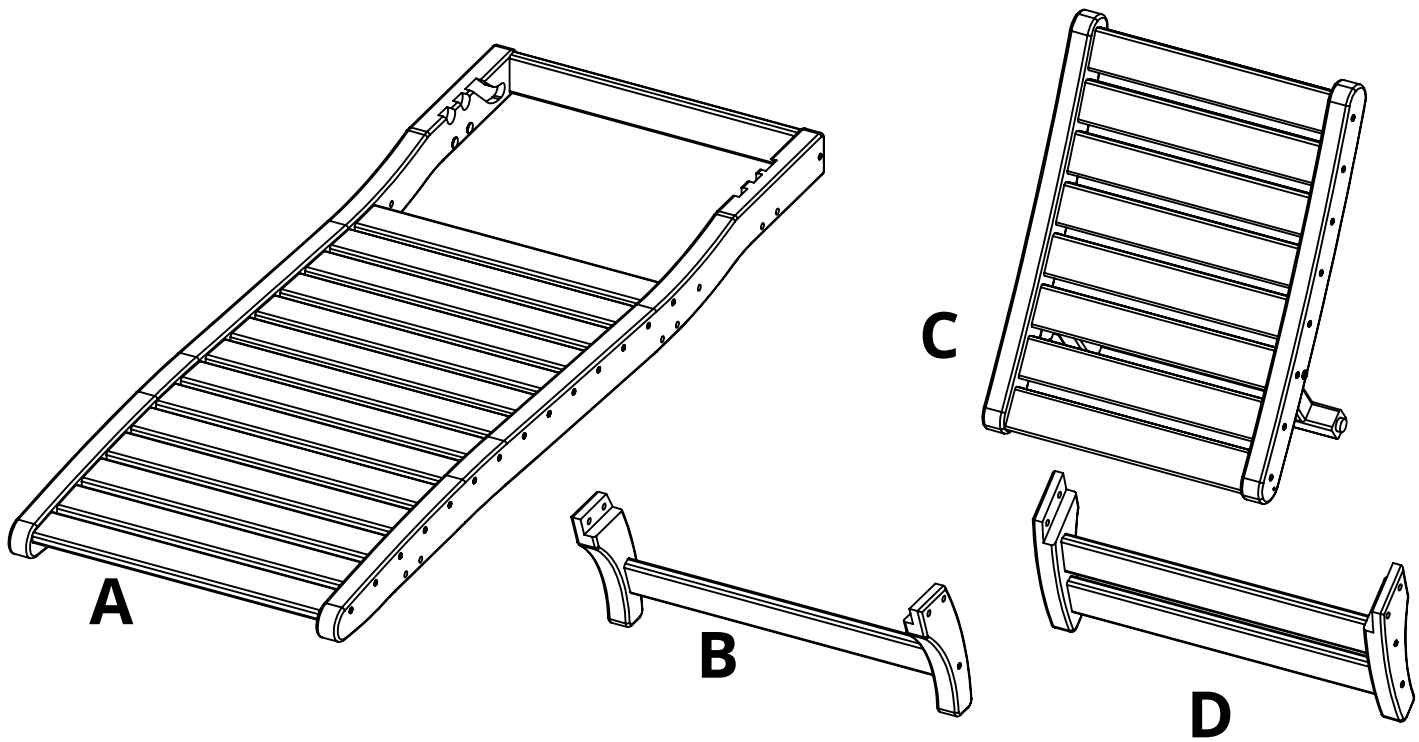


breezesta™

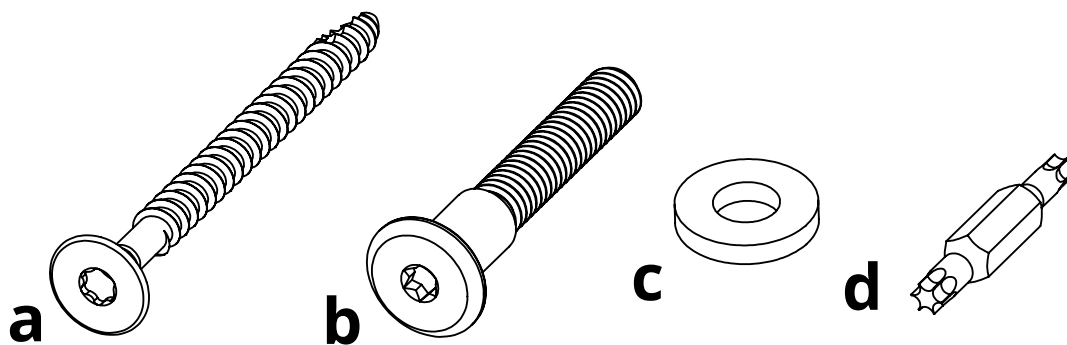
CONTOUR SUN CHAISE LOUNGE
CL-1202



REV02-4/21



PARTS			
PART	DESCRIPTION	PART NO.	QTY
A	SEAT ASSEMBLY	SA-00467	1
B	LEG ASSEMBLY	SA-00469	2
C	SEAT BACK ASSEMBLY	SA-00142	1
D	MIDDLE LEG ASSEMBLY	SA-00468	1



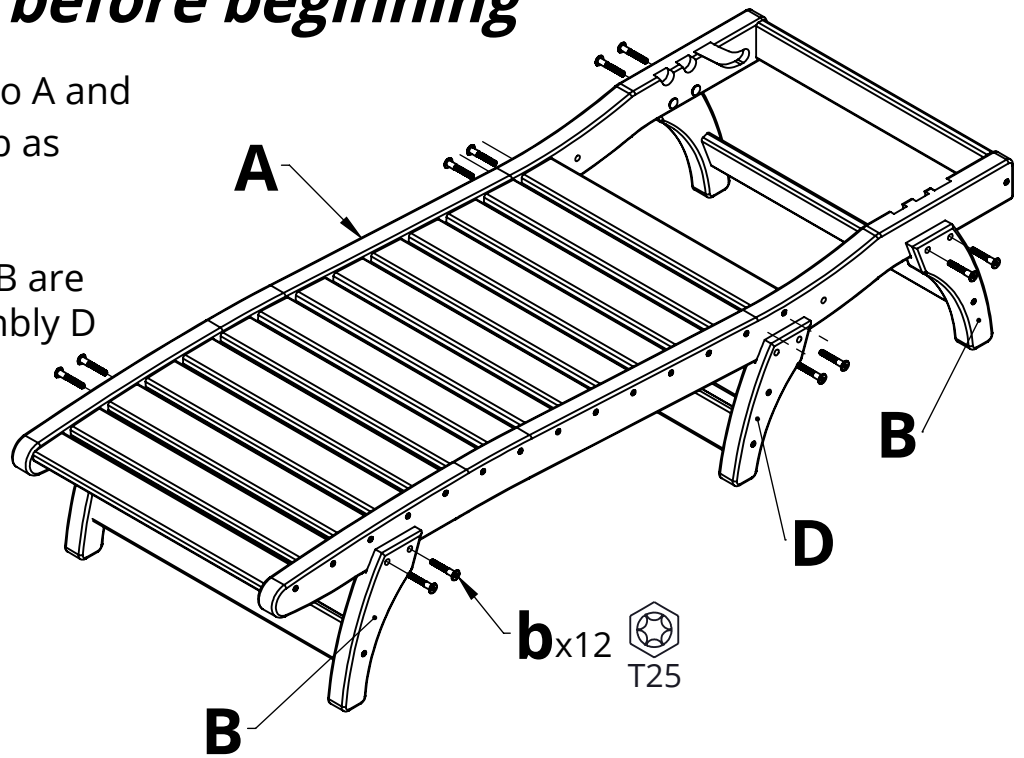
HARDWARE			
PART	DESCRIPTION	PART NO.	QTY
a	1/4"-10 X 3" LAG SCREW	H-0000-S103	2
b	5/16" X 2-1/8" CHAIR BOLT	H-0000-CB516218	12
c	LARGE WHITE NYLON WASHER	H-0000-LWNW	2
d	T20 & T25 TORX BIT	H-0000-CTD	1

Suggested Tools: Drill, Plastic Mallet

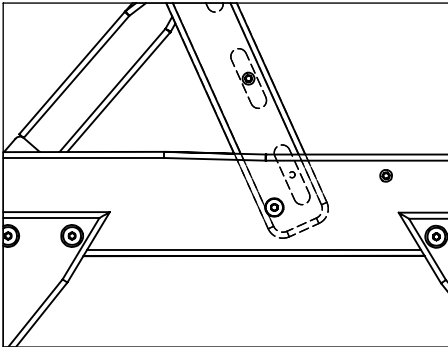
Please read entire instructions before beginning

1. Place Parts B and D onto A and connect it using Hardware b as shown

Note-the legs on assembly B are longer than those on assembly D

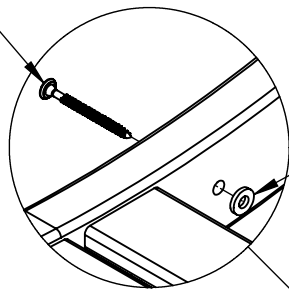


Side View

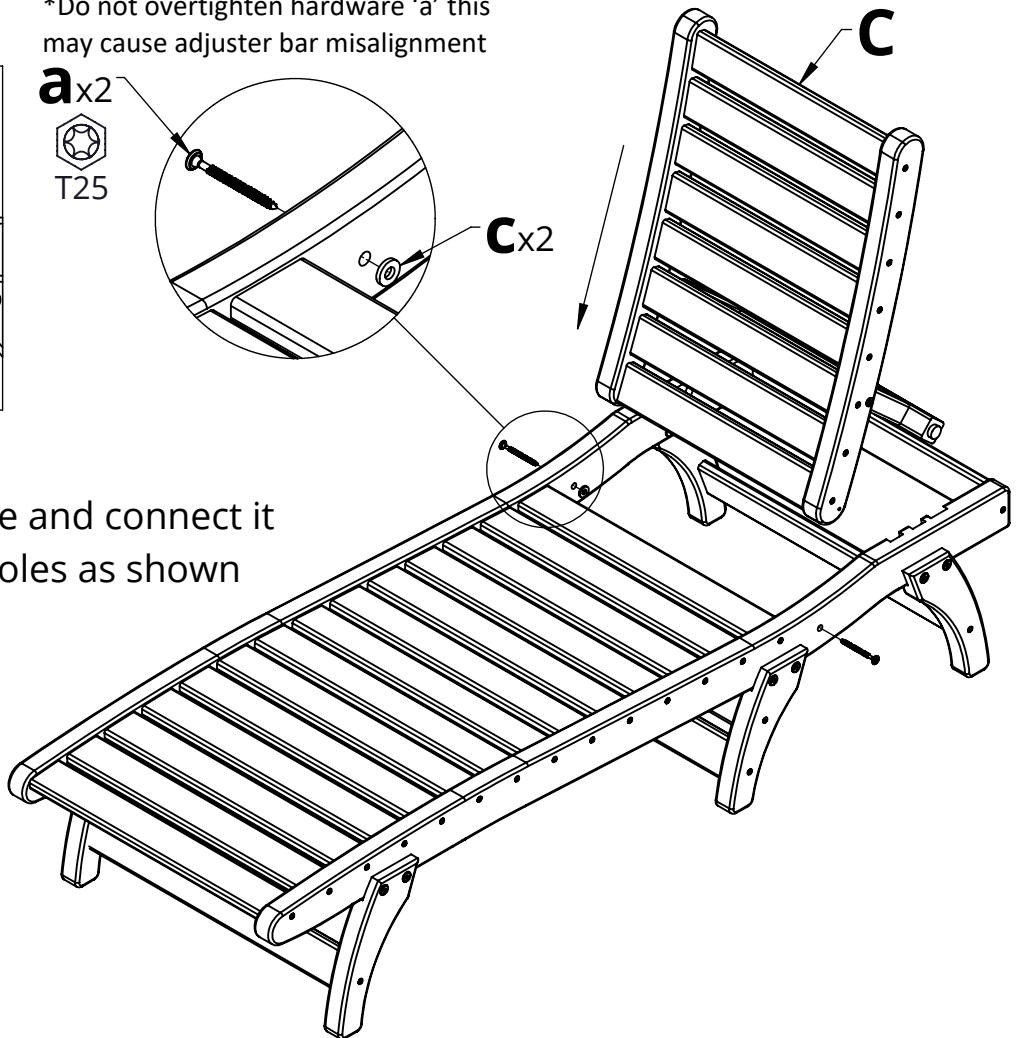


*Do not overtighten hardware 'a' this may cause adjuster bar misalignment

ax2
T25



cx2



2. Drop Part C into place and connect it through the pre-drilled holes as shown