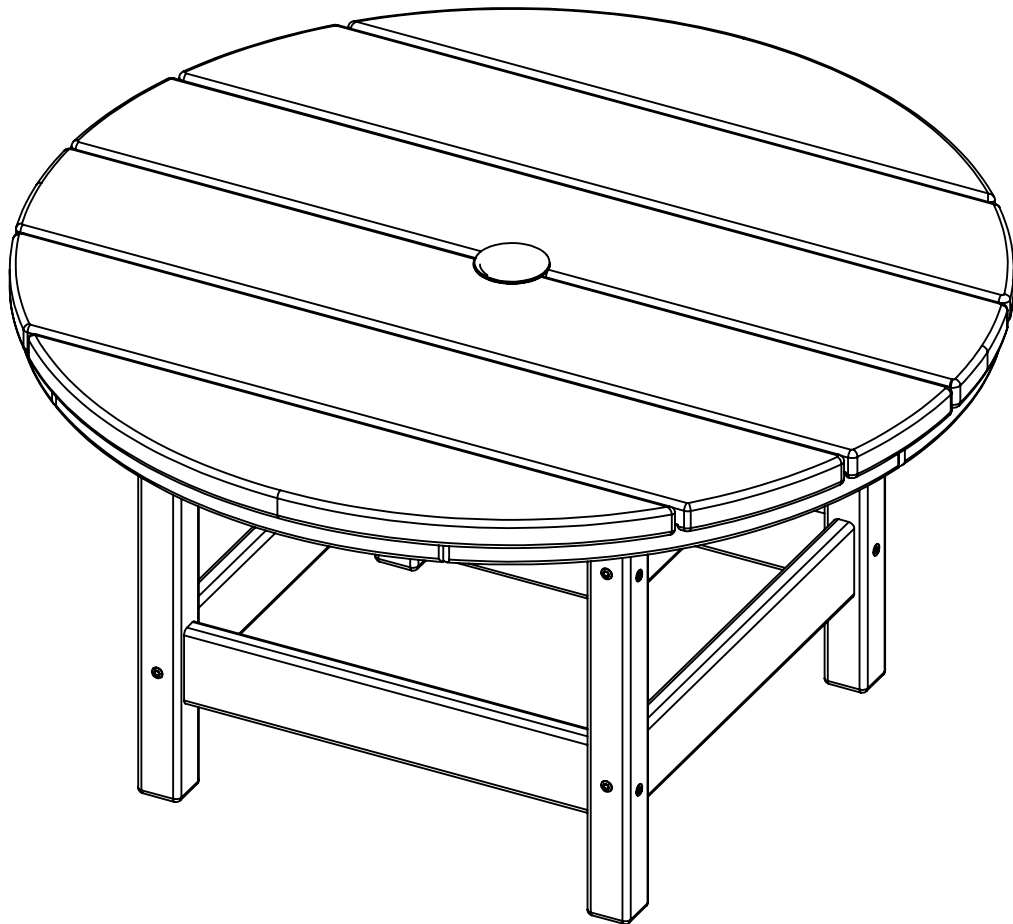
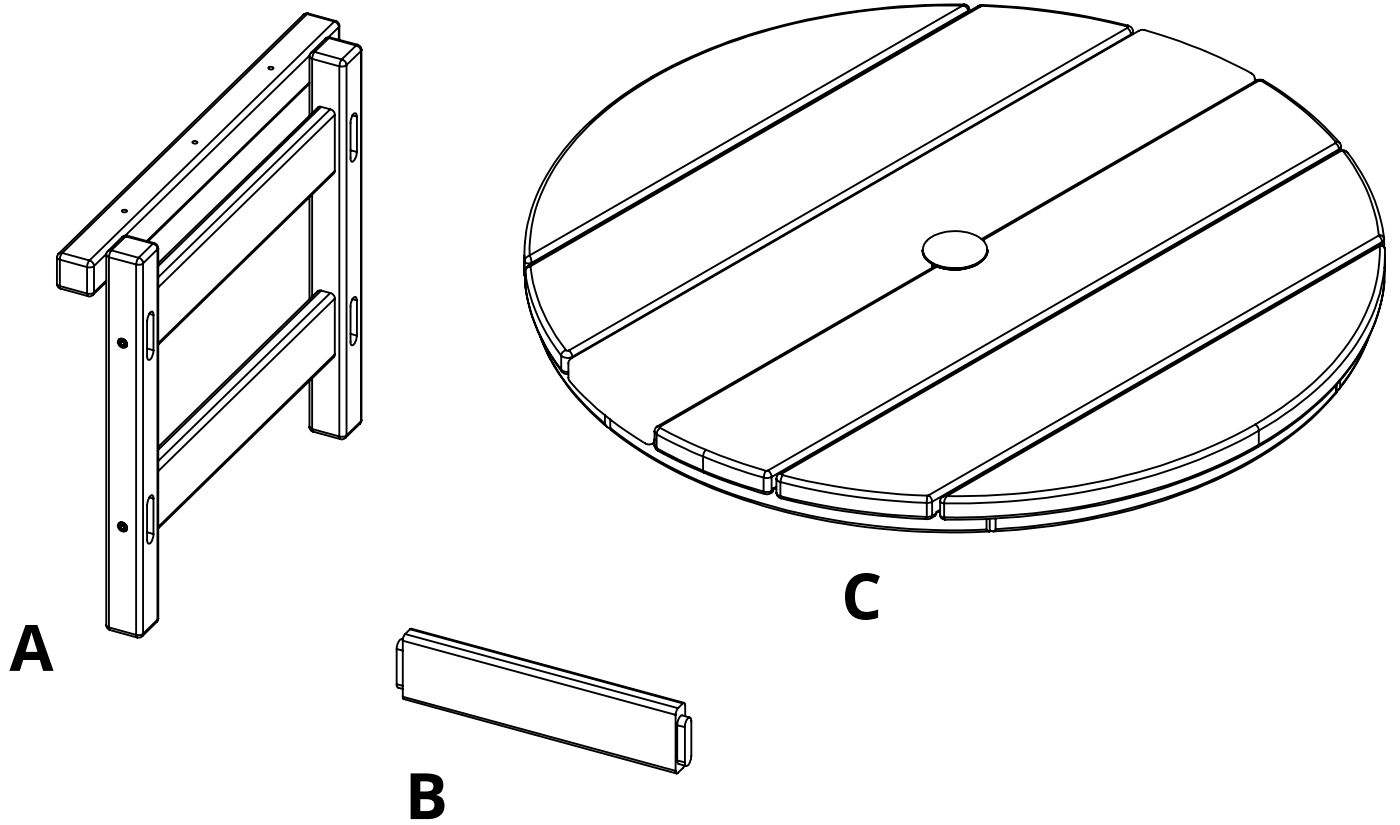


breezesta™

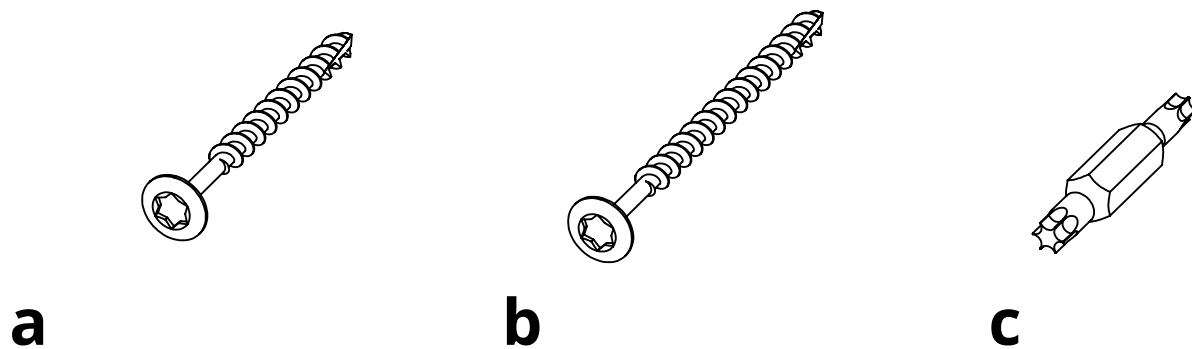
**32" ROUND CONVERSATION TABLE**  
**CT-1102**



REV01-7/19



<b>PARTS</b>			
<b>PART</b>	<b>DESCRIPTION</b>	<b>PART NO.</b>	<b>QTY</b>
A	SIDE ASSEMBLY	SA-00306	2
B	STOOL SEAT SLAT	SS-14.375	4
C	TABLE TOP ASSEMBLY 32"x 32"	SA-00307	1

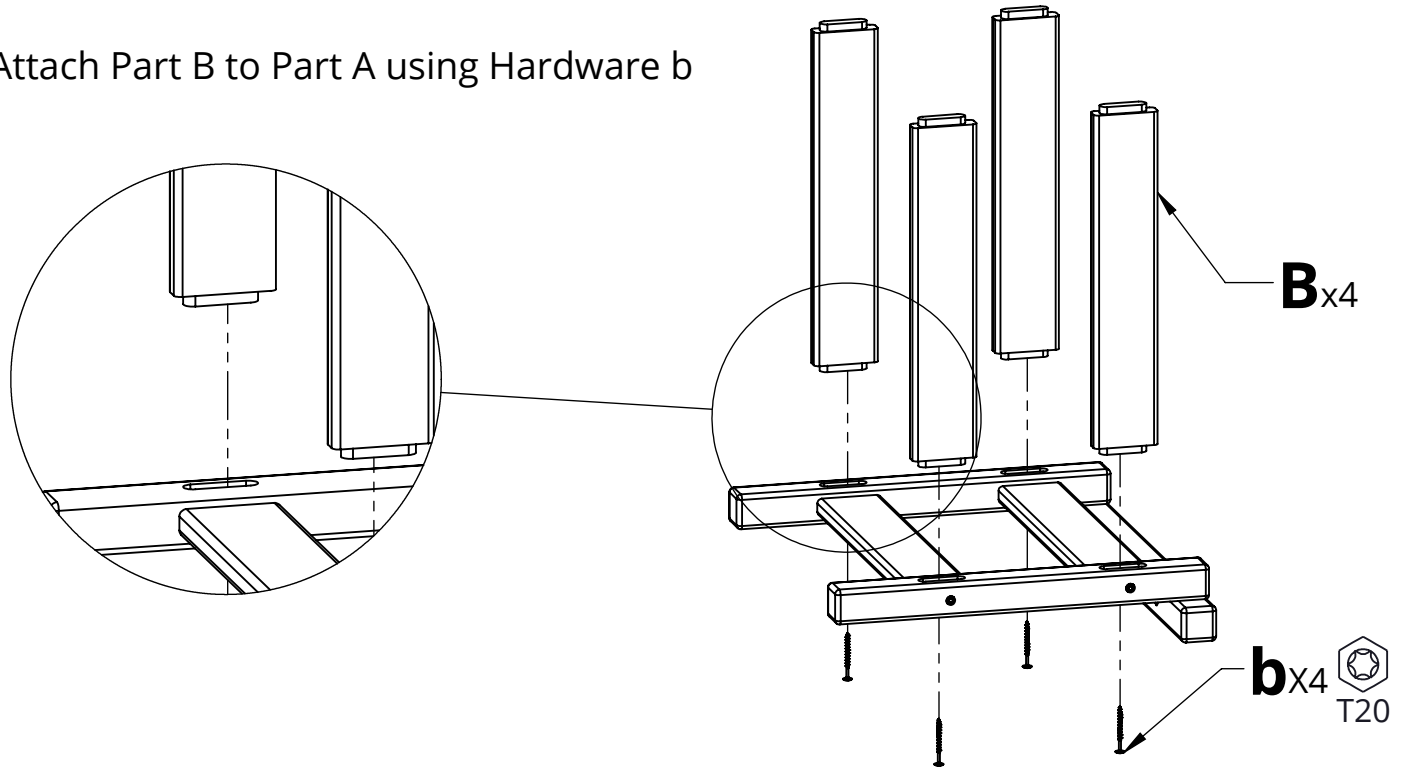


<b>HARDWARE</b>			
<b>PART</b>	<b>DESCRIPTION</b>	<b>PART NO.</b>	<b>QTY</b>
a	#8 X 2" TORX SCREW	H-0000-S82	6
b	#8 X 2-1/2" TORX SCREW	H-0000-S825	8
c	T20 & T25 TORX BIT	H-0000-CTD	1

**Suggested Tools:** Drill, Plastic Mallet

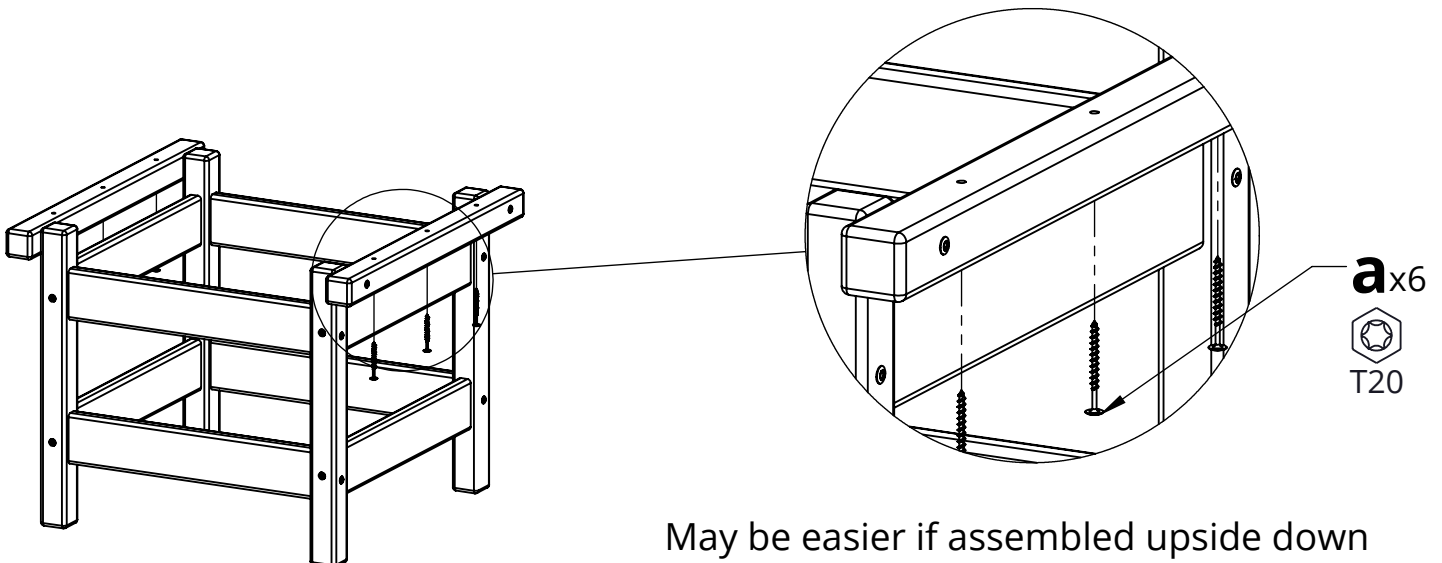
# Please read entire instructions before beginning

- 1.** Attach Part B to Part A using Hardware b



- 2.** Place second Part A on assembled piece from Step 1, attach with Hardware b

- 3.** Place Part C onto Part A, attach using Hardware a



May be easier if assembled upside down