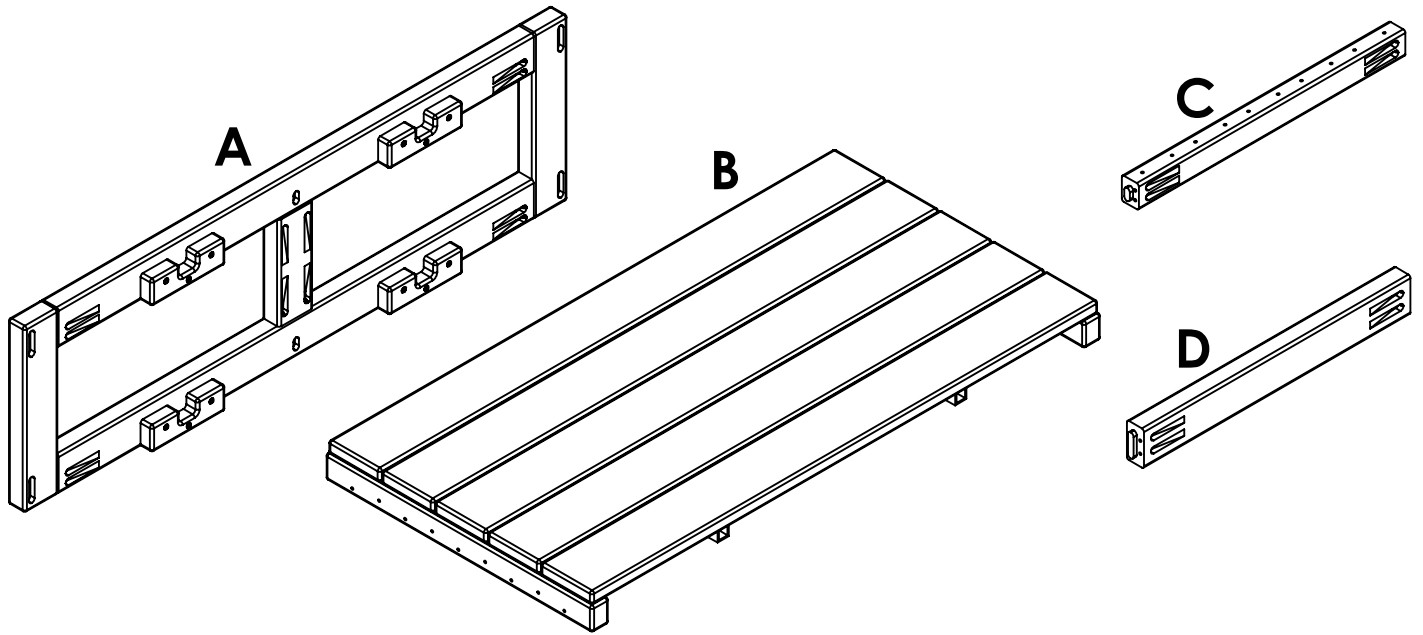
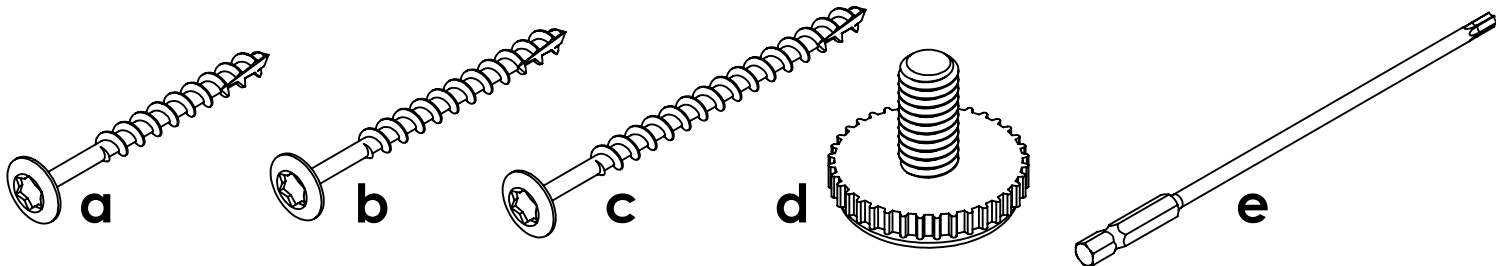


Please read entire instruction before beginning

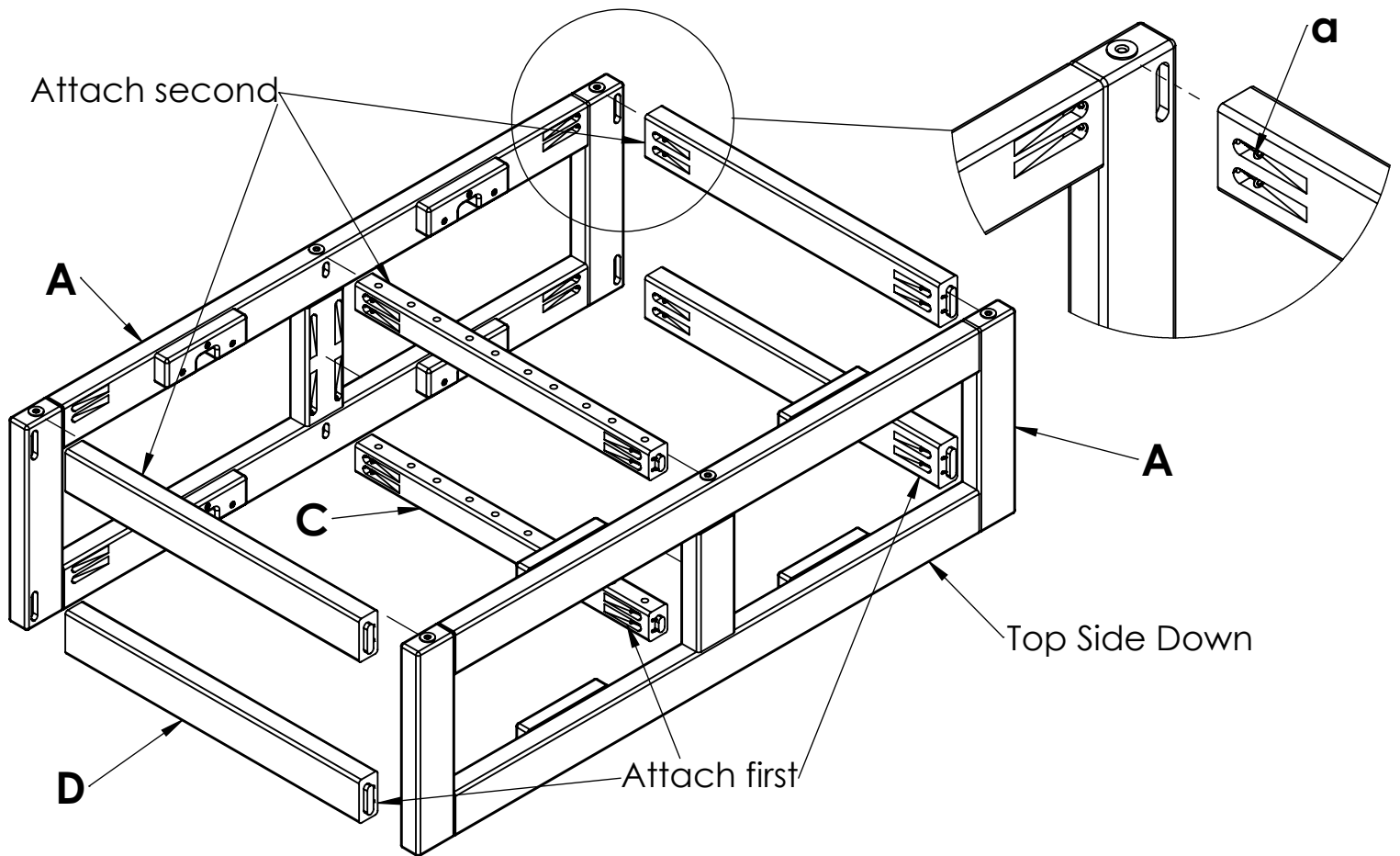


PARTS			
ITEM NO.	DESCRIPTION	PART NUMBER	QTY.
A	PB COFFEE TABLE LEG ASSEMBLY	SA-00372	2
B	PB COFFEE TABLE TOP	SA-00371	2
C	PB COFFEE TABLE MID SUPPORT	PRT-00815	2
D	PB COFFEE TABLE END RAIL	PRT-00817	4



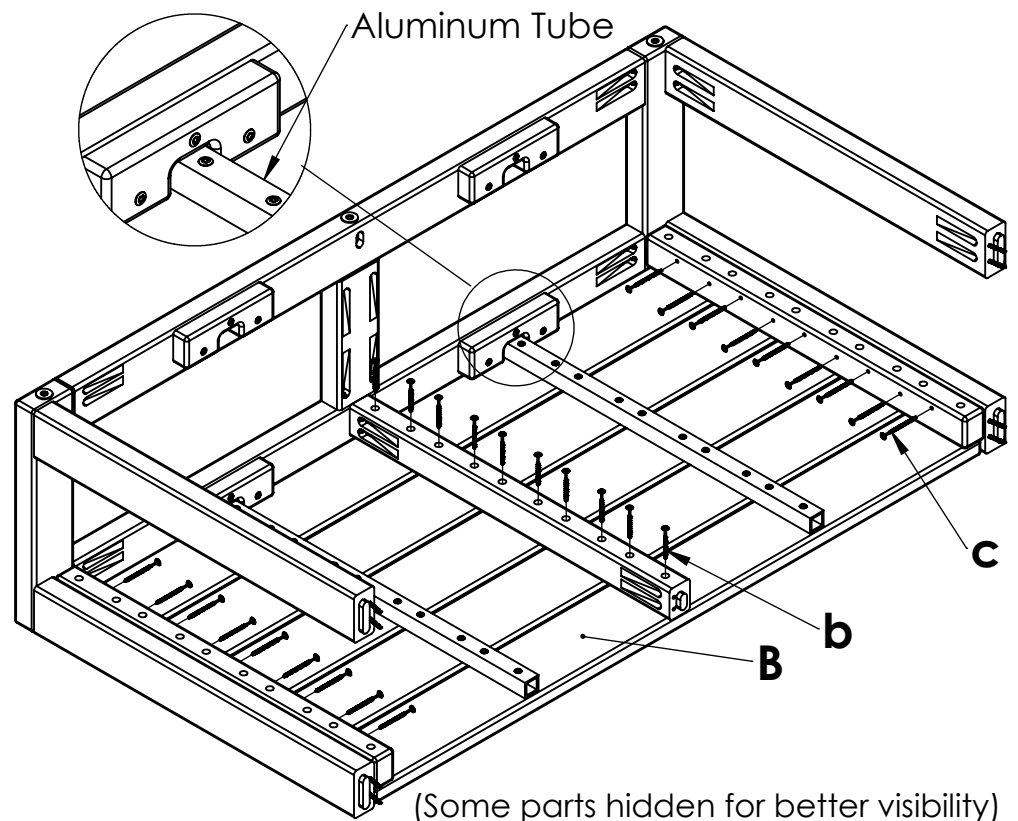
SA-00396 HARDWARE KIT			
ITEM NO.	DESCRIPTION	PART NUMBER	QTY.
a	#8 X 1-3/4" TORX SCREW	H-0000-S8175	24
b	#8 X 2" TORX SCREW	H-0000-S82	20
c	#8 X 2-1/2" TORX SCREW	H-0000-S825	36
d	LEVELLING MOUNT	H-0000-LM	6
e	6-inch T20 TORX BIT	H-0000-T20X6	1

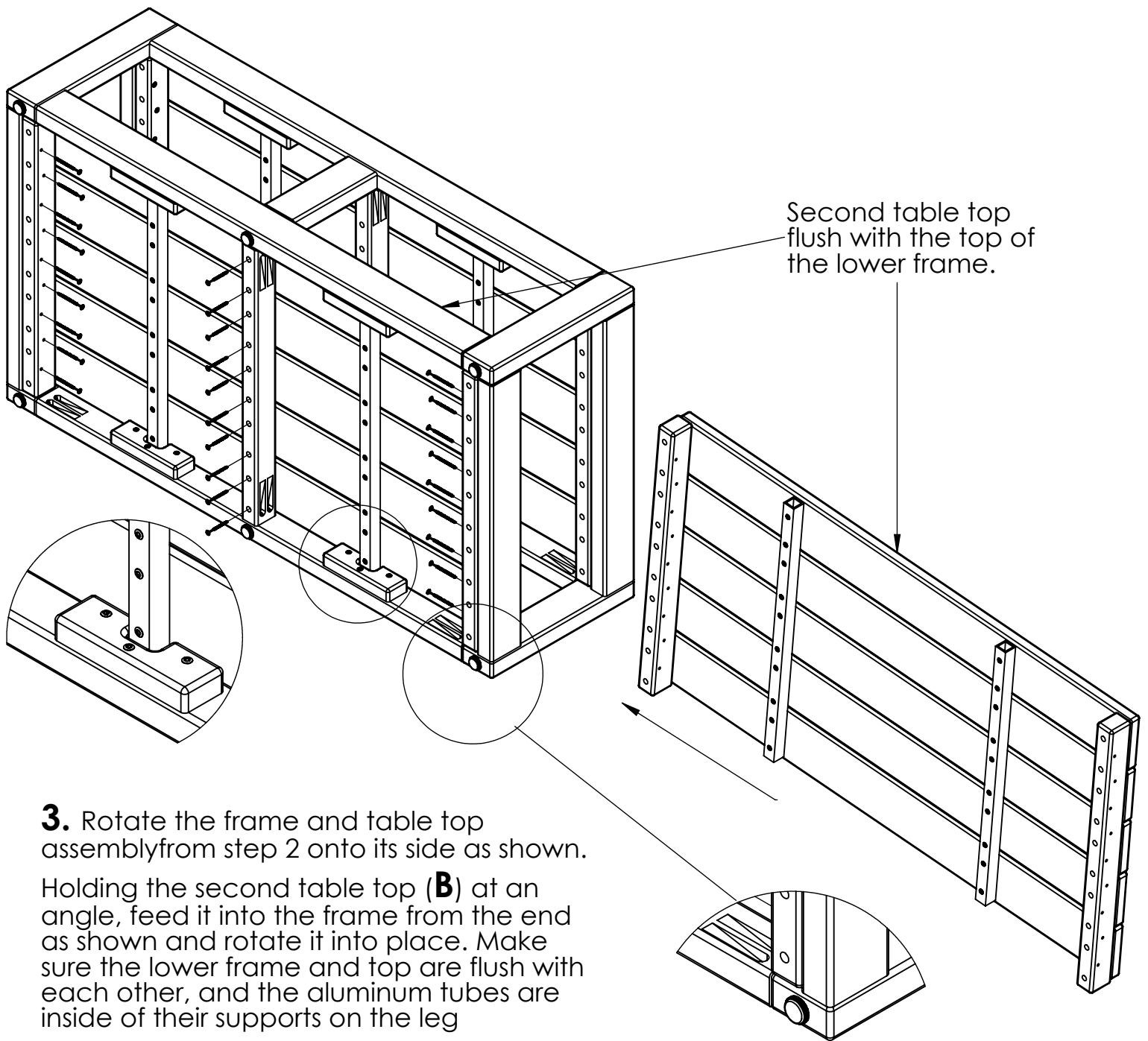
Suggested Tools: Drill, Mallet



1. With the leg assemblies (**A**) upside-down on a flat surface, attach parts **C** & **D** in the orientation shown using hardware **a** and the bit provided. It will help to attach the **C** & **D** parts nearest the ground on one leg assembly, then attach the opposite leg. Then attach the remaining **C** & **D** away from the ground last.

2. Lay the table top (**B**) on a flat surface as shown. Pick up the frame assembly from step 1 and place it upside-down over the table top. Make sure the frame and top are both flush with the surface you are working on, and the aluminum tubes are inside of their supports on the leg assemblies. Install hardware **c** in the ends of the table, 9 per end. Install 10 of hardware **b** in the center support. Be sure to only use hardware **b** (2") in the center support - hardware **c** will come through the table top.





3. Rotate the frame and table top assembly from step 2 onto its side as shown.

Holding the second table top **(B)** at an angle, feed it into the frame from the end as shown and rotate it into place. Make sure the lower frame and top are flush with each other, and the aluminum tubes are inside of their supports on the leg

assemblies. Install hardware **c** in the ends of the table, 9 per end. Install 10 of hardware **b** in the center support. Be sure to only use hardware **b** (2") in the center support - hardware **c** will come through the table top.

4. Before standing the table upright, install 6 hardware **d** (leveling mounts) into the threaded inserts on the bottom of the leg assemblies. These can be adjusted once the table is in place to account for uneven surfaces.