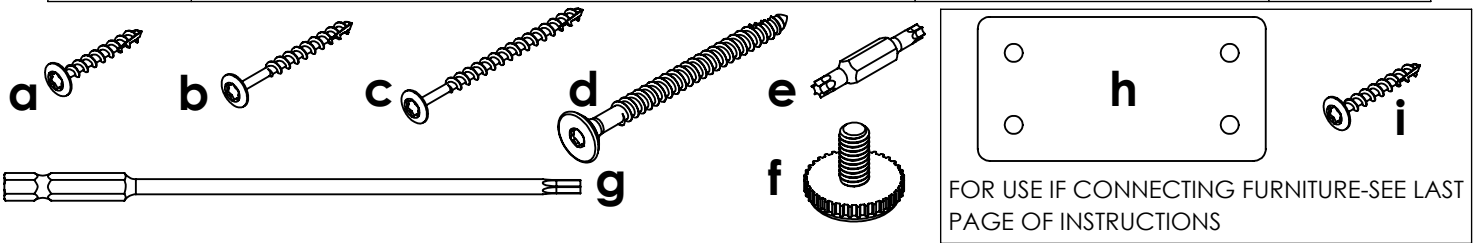


PARTS

PART	DESCRIPTION	PART NO.	QTY
A	PB ARMLESS LH FRAME	SA-00369	1
B	PB LOUNGE CHAIR RH FRAME	SA-00384	1
C	24"X24" SEAT SLING	H-0000-SLG	1
D	PB SLING SPACER ASSEMBLY	SA-00382	1
E	PB SLING RAIL ASSEMBLY	SA-00407	1
F	PB SLING RAIL ASSEMBLY	SA-00408	1
G	PB 1-ARM LOUNGE BACK SLAT	PRT-00863	3
H	PB 1-ARM LOUNGE FRONT BOTTOM SPREADER	PRT-00866	1

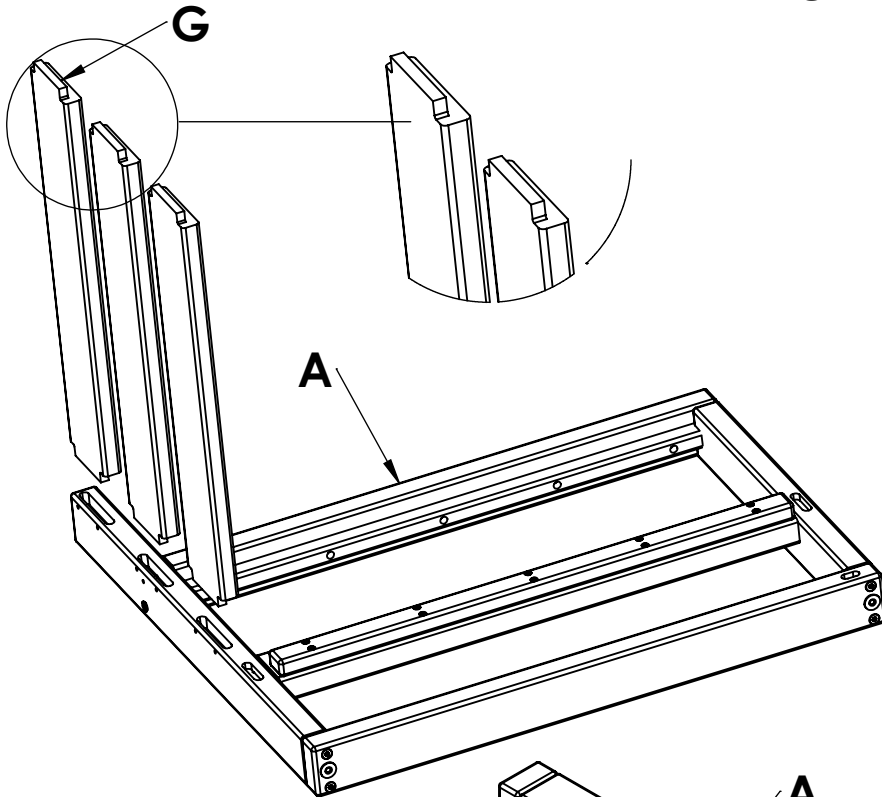


SA-00399 HARDWARE KIT

PART	DESCRIPTION	PART NO.	QTY
a	#8 X 1-1/4" TORX SCREW	H-0000-S8125	12
b	#8 X 1-3/4" TORX SCREW	H-0000-S8175	12
c	#8 X 2-1/2" TORX SCREW	H-0000-S825	6
d	1/4"-10 X 3" LAG SCREW	H-0000-S103	1
e	T-20 & T-25 TORX BIT	H-0000-CTD	1
f	LEVELING MOUNT	H-0000-LM	4
g	6-INCH T20 TORX BIT	H-0000-T20X6	1
h	CONNECTOR PLATE	H-0000-CP	2
i	#8 X 1-1/4" TORX SCREW-UNPAINTED	H-0000-S8125	8

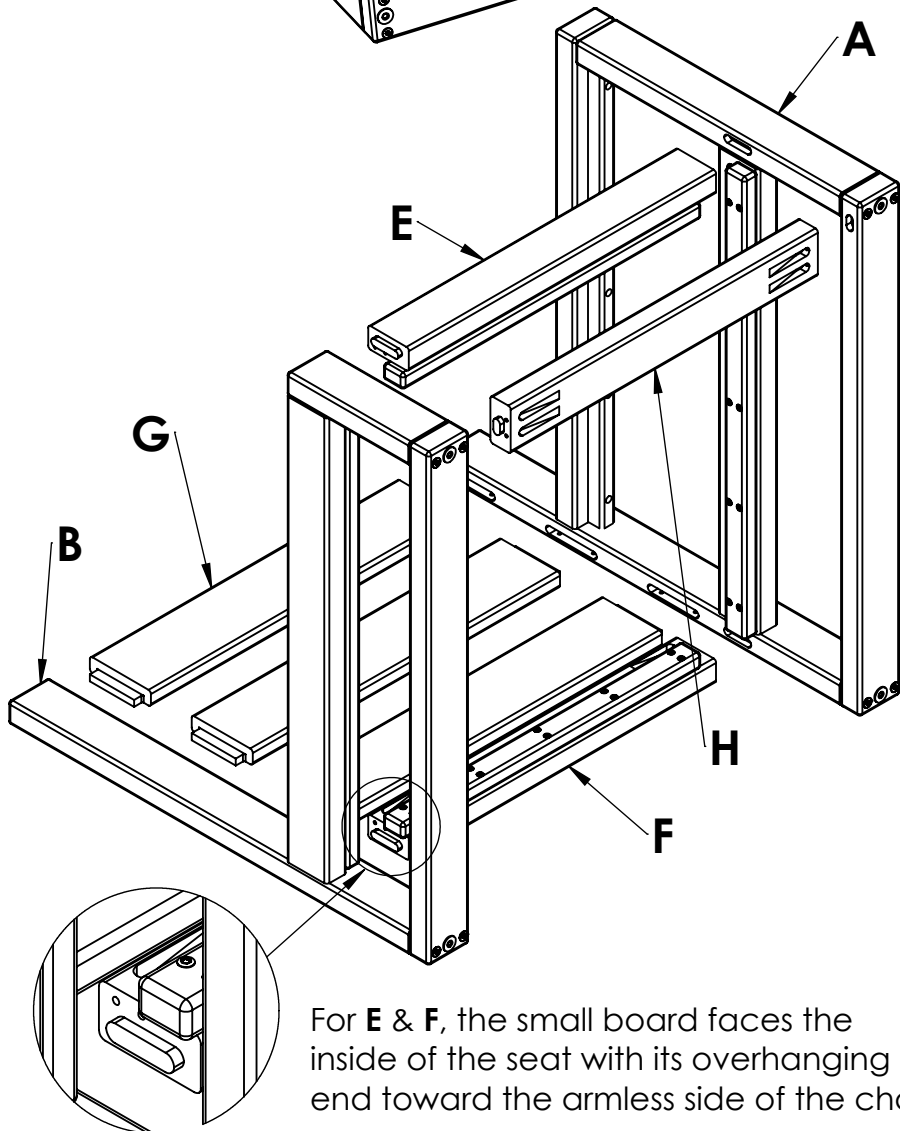
Suggested Tools: Drill, Plastic Mallet

**Please read entire instruction
before beginning**



1. Place Frame Assembly **A** on a flat surface either as shown or with the slats on the ground and frame sticking up in the air. Insert the 3 Back Slats **G** into the slots of the frame. This may require some tapping with a mallet to set them firmly into the slot.

The Back Slat tenon is offset, and is positioned to the rear of the chair as seen at left.



2. If you did not start with the slats on the floor, carefully rotate the chair to its back. Align the top back slot of assembly **B** with the top back slat. Align the remaining slats and use a mallet to start the slat tenons into the frame, leaving them slightly out.

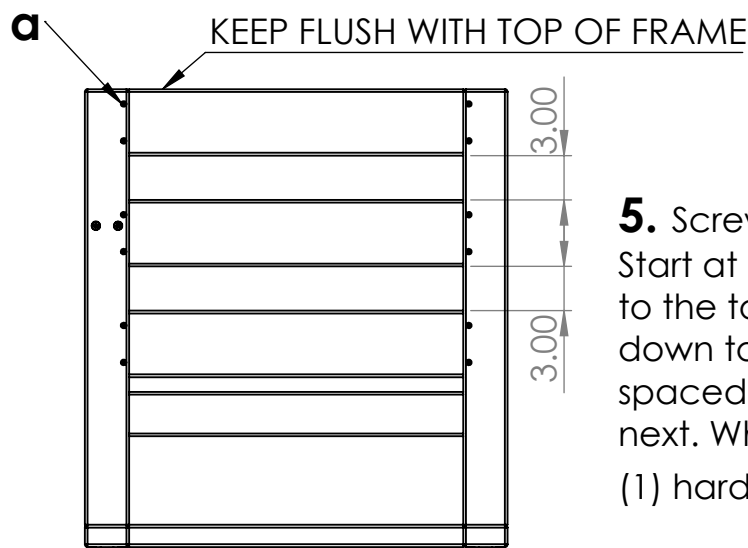
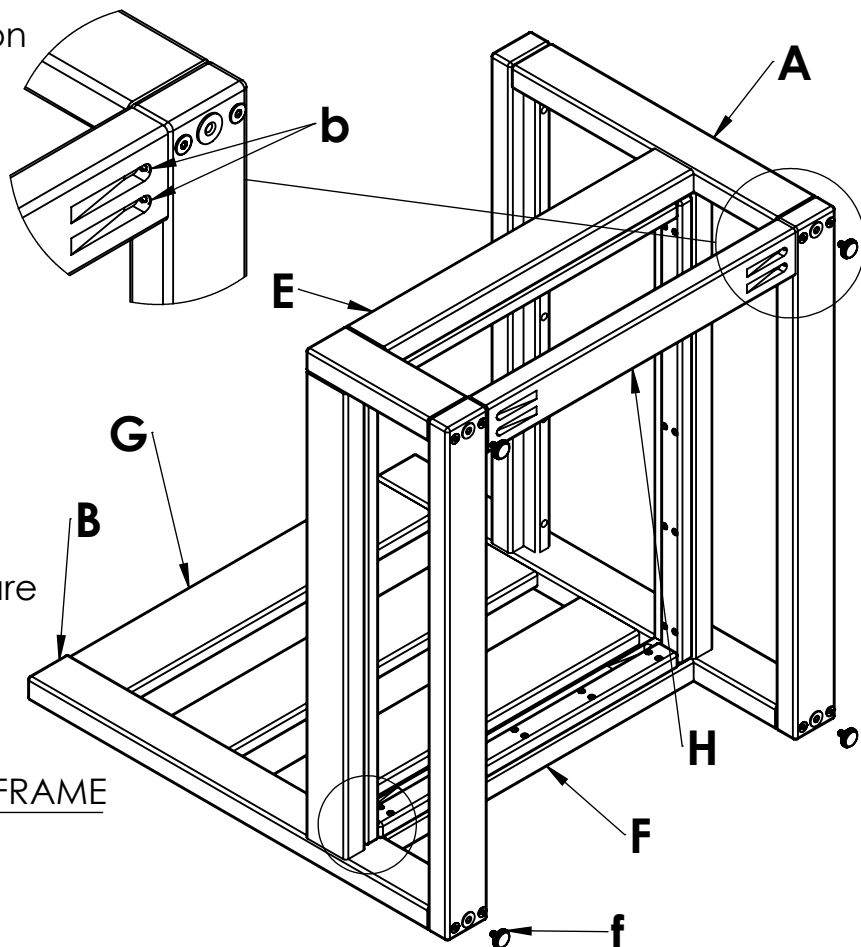
Insert the front and rear sling rails (**E & F**) and the front bottom spreader (**H**) into their respective slots. Then complete the process of seating the back slats into the frames so all tenons are fully seated in their slots.

For **E & F**, the small board faces the inside of the seat with its overhanging end toward the armless side of the chair.

(2) 1-3/4" screws (**b**) are used on each end of **E, F & H**.

3. Using the 6" torx bit (hardware **g**), screw the (12) 1-3/4" screws (**b**) into the bottom spreader (**H**) and sling rails (**E & F**). When tight, the ends of the spreader and rails should be flush to the two side frame assemblies.

4. Before flipping the chair to it's feet, install the (4) leveling mounts (hardware **f**) by threading them into the inserts located at the four corners on the bottom of the chair.



5. Screw in the back seat slats using (12) hardware **a**. Start at the top, making sure the top of the slat is flush to the top of the chair frame. Then work your way down to the remaining two slats. For reference, slats are spaced 3" from the bottom of one to the top of the next. While looking at the back, install the remaining (1) hardware **d**. This will require the larger end of bit **e**.

6. Insert sling spacer **D** into the seat frame as shown at left. Be sure it is pushed against the back of the seat. Install (6) hardware **c** to hold it in place. Insert the seat sling (**C**) into the seat frame. It should drop into the frame with minor pressure applied to the frame sides.

Optional: If you wish to physically connect multiple pieces of furniture together, use the included plates and 1-1/4" screws (**h & i**) as shown at left. Connect plates to the inside faces of the front and back legs allowing approximately 1-1/2" of the plate to protrude from the side of the chair. Then move the next furniture piece into place and fasten the plates to it.

