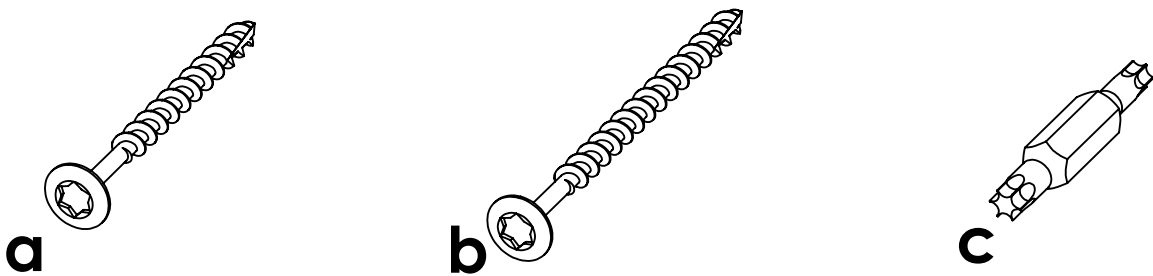


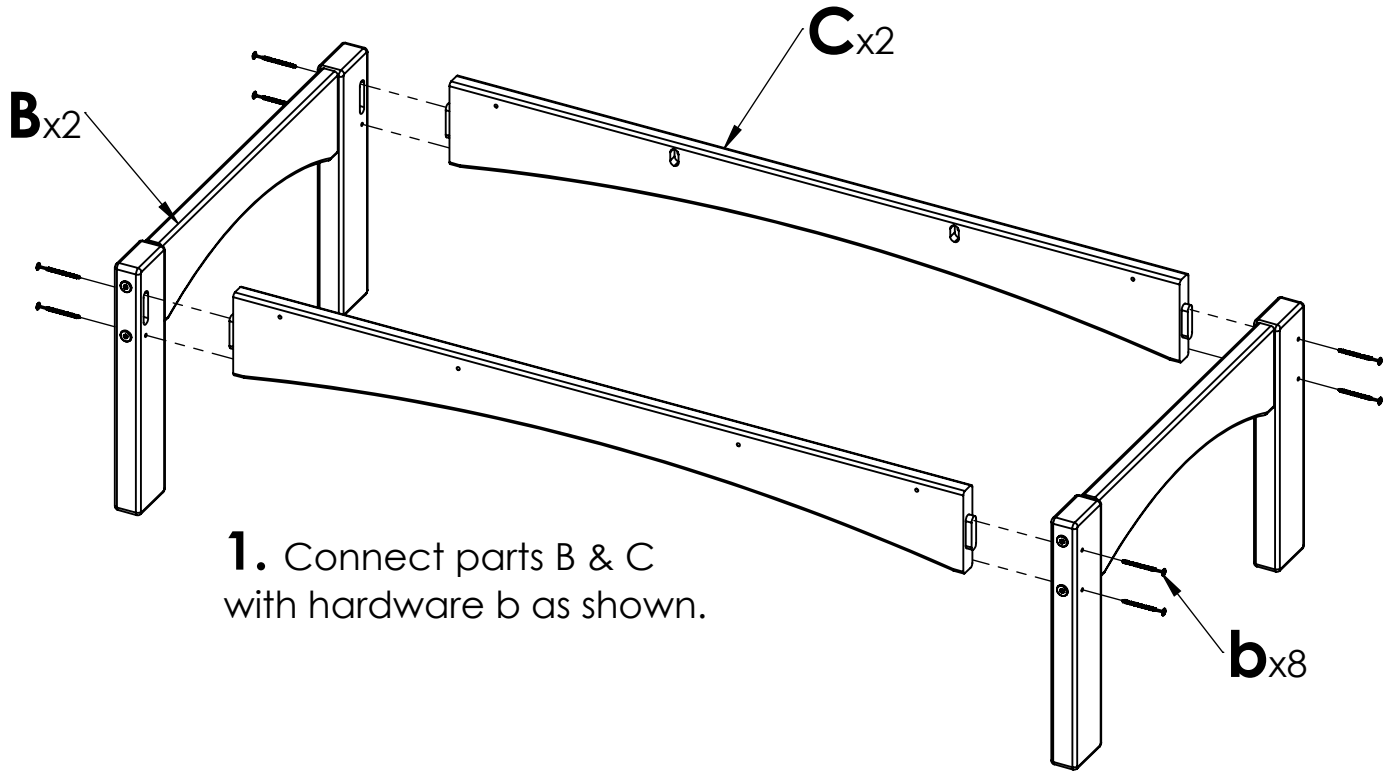
PARTS			
PART	DESCRIPTION	PART NO.	QTY.
A	TABLE TOP ASSEMBLY	SA-00472	1
B	SIDE ASSEMBLY	SA-00473	2
C	LONG SPREADER	PRT-00930	2



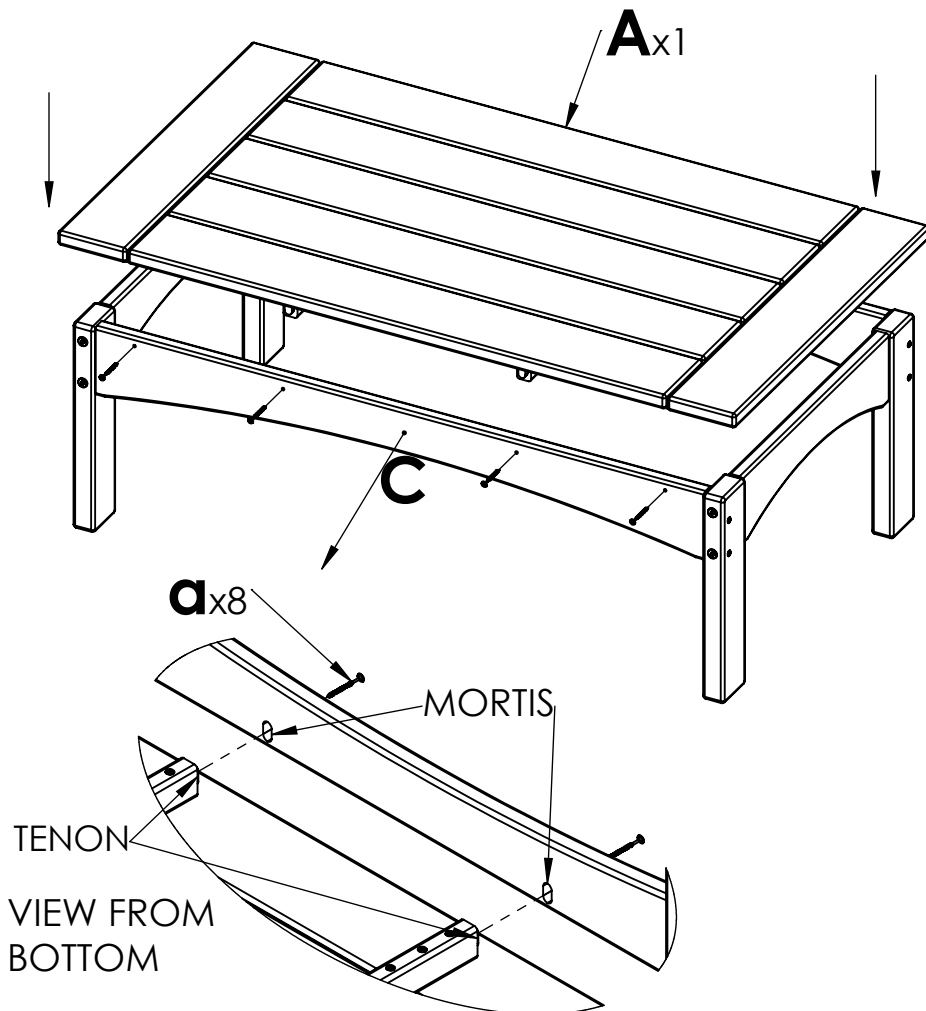
HARDWARE PACK - SA-0480			
PART	DESCRIPTION	PART NO.	QTY
a	#8 X 2" TORX SCREW	H-0000-S82	8
b	#8 X 2-1/2" TORX SCREW	H-0000-S825	8
c	T20 & T25 TORX BIT	H-0000-CTD	1

Suggested Tools: Drill, Plastic Mallet

Please read entire instructions before beginning



1. Connect parts B & C with hardware b as shown.



2. Lay part A on top of the frame from step 1. Pull parts C outward slightly on each side to allow the supports to drop down into the frame. Be sure the tenons seat into the mortises on the sides of the base frame. Fasten using (8) of hardware a, (4) per side.