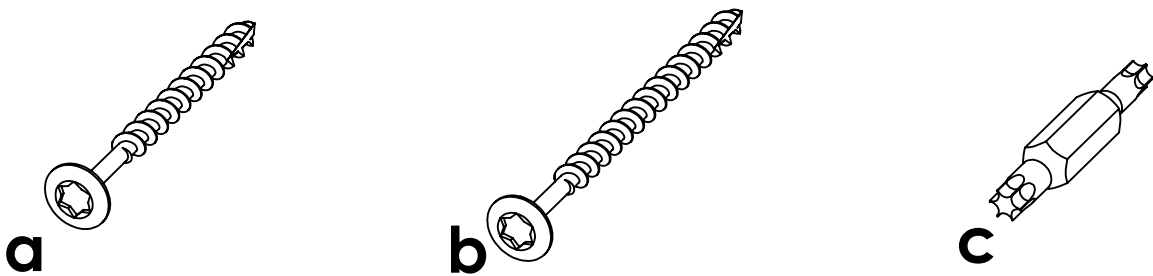


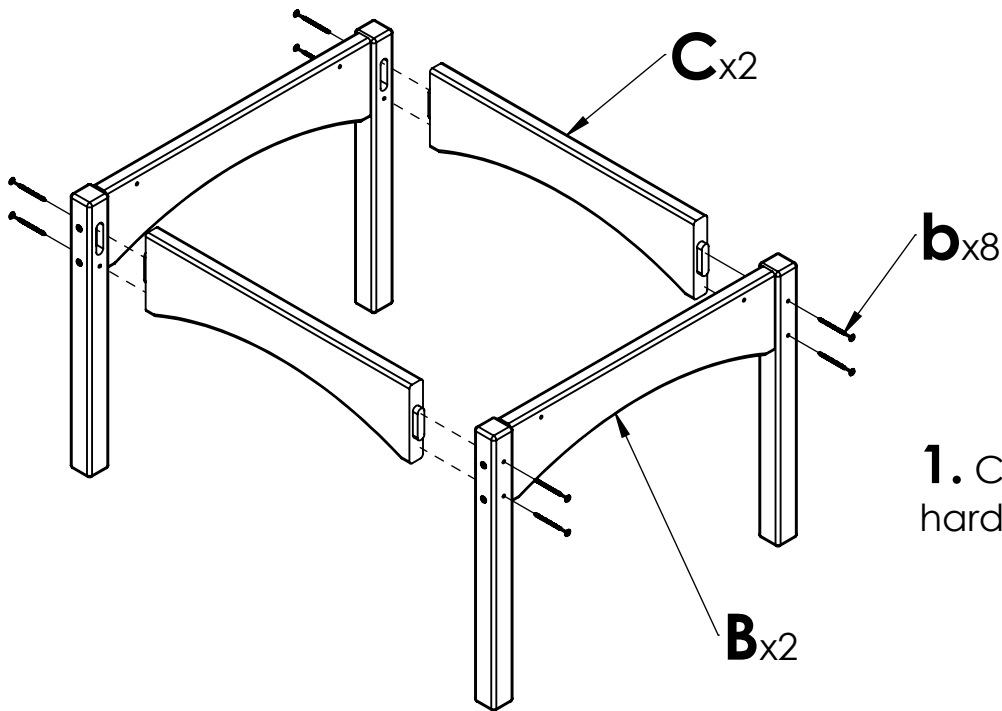
PARTS			
PART	DESCRIPTION	PART NO.	QTY.
A	TABLE TOP ASSEMBLY	SA-00470	1
B	SIDE ASSEMBLY	SA-00471	2
C	SPREADER	PRT-00872	2



HARDWARE PACK - SA-0481			
PART	DESCRIPTION	PART NO.	QTY
a	#8 X 2" TORX SCREW	H-0000-S82	4
b	#8 X 2-1/2" TORX SCREW	H-0000-S825	8
c	T20 & T25 TORX BIT	H-0000-CTD	1

Suggested Tools: Drill, Plastic Mallet

Please read entire instructions before beginning



1. Connect parts B & C using hardware b

2. Attach part A to the base using hardware a. The support boards under the table top should rest inside of the base rails/legs.

