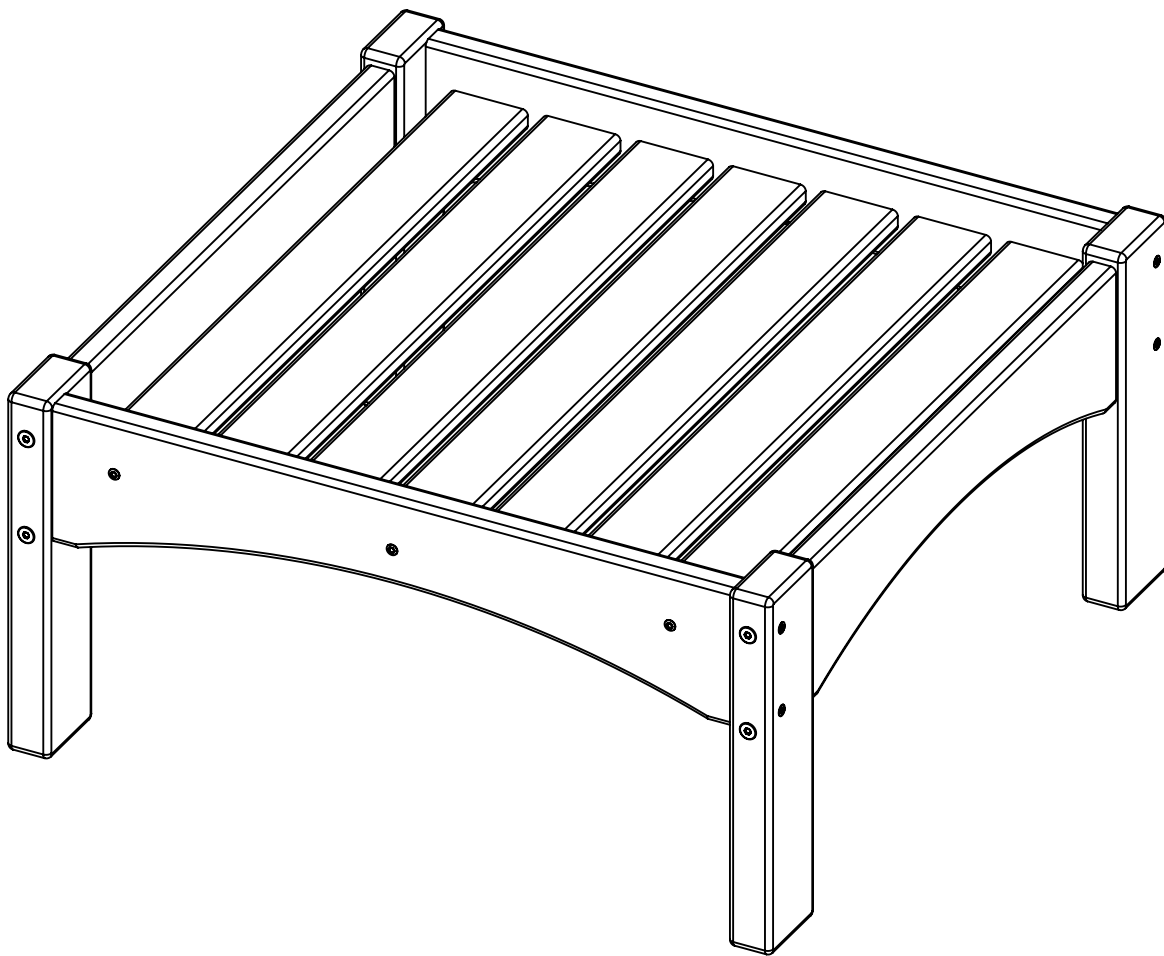
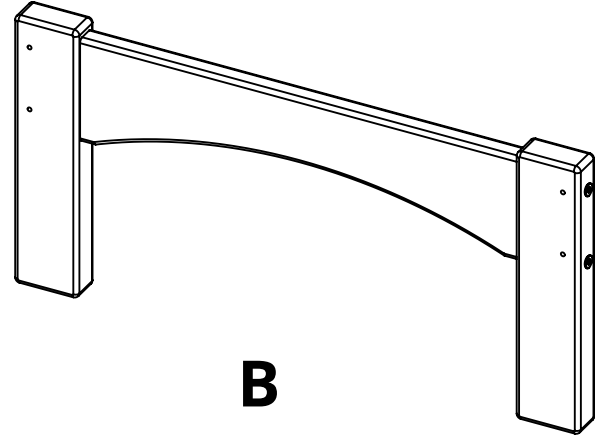
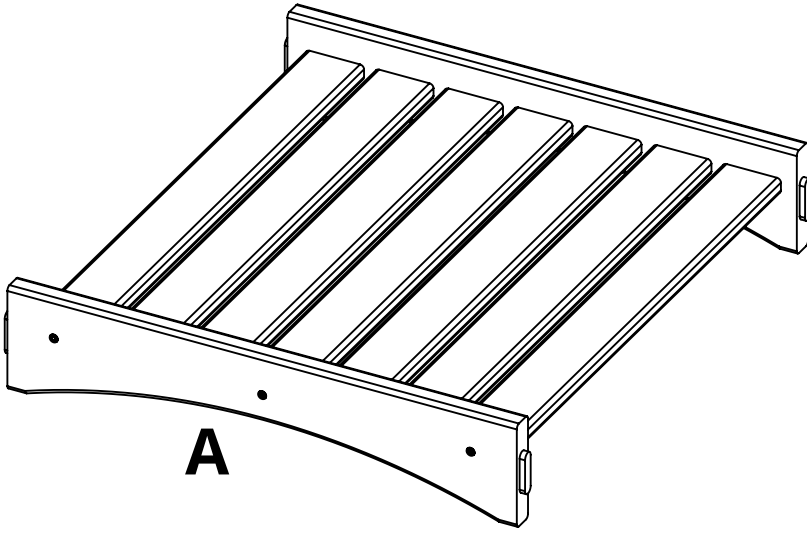


breezesta™

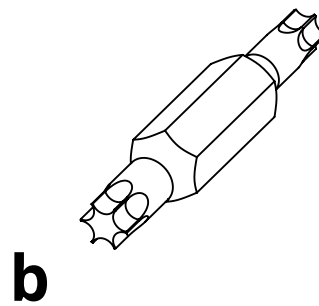
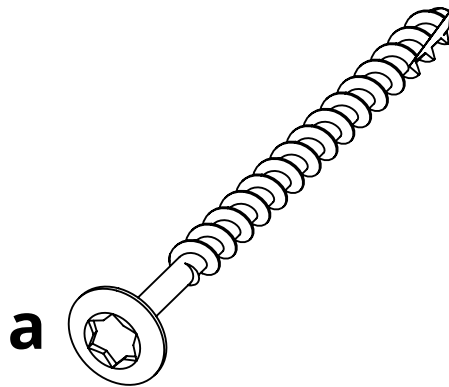
PIEDMONT OTTOMAN
PT-0505



REV00-1/19



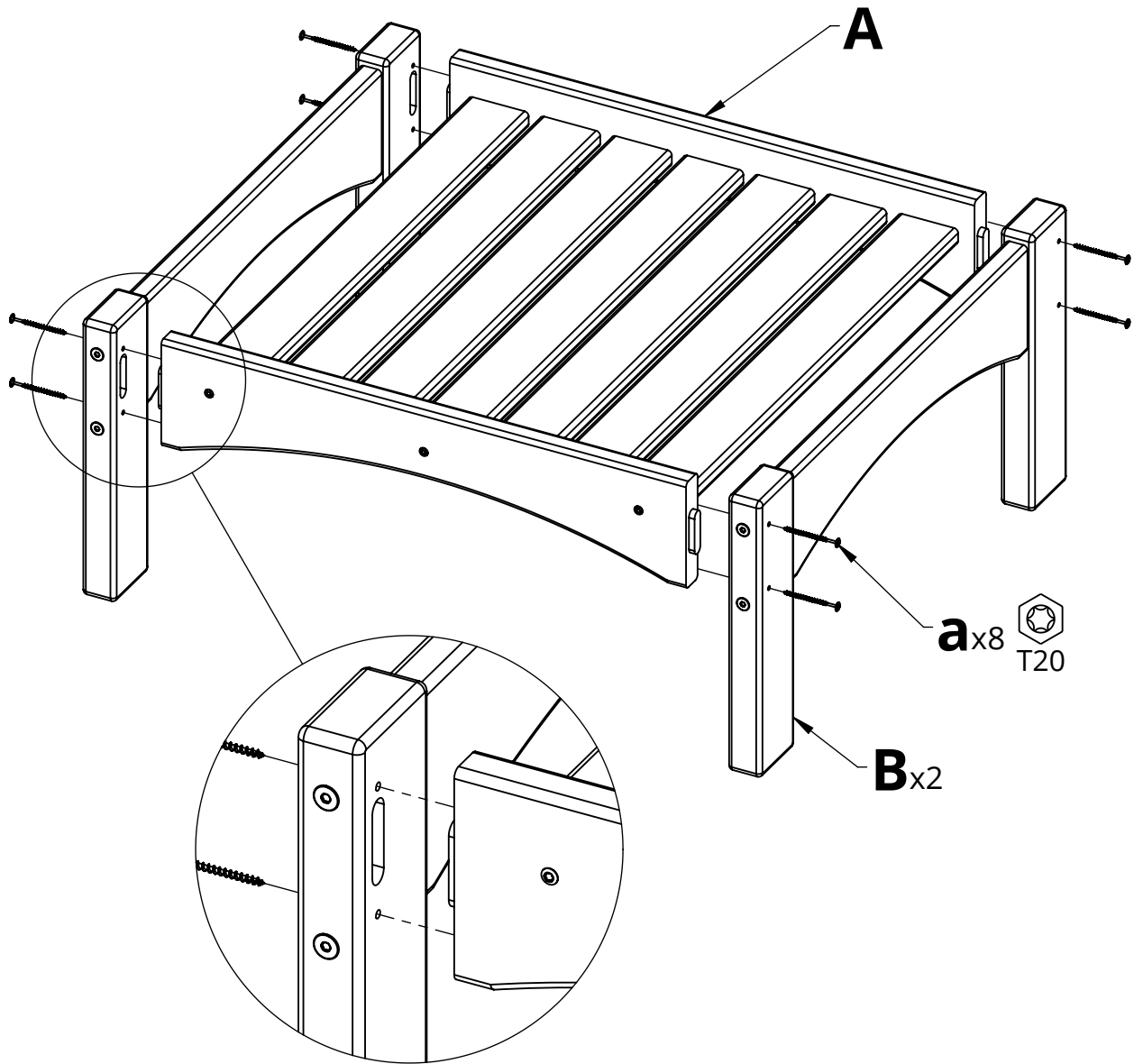
PARTS			
PART	DESCRIPTION	PART NO.	QTY
A	SHELF ASSEMBLY	SA-00269	1
B	SIDE ASSEMBLY	SA-00268	2



HARDWARE			
PART	DESCRIPTION	PART NO.	QTY
b	#8 X 2-1/2" TORX SCREW	H-0000-S825	8
c	T20 & T25 TORX BIT	H-0000-CTD	1

Suggested Tools: Drill, Plastic Mallet

***Please read entire instructions
before beginning***



1. Attach Parts A & B together using Hardware a