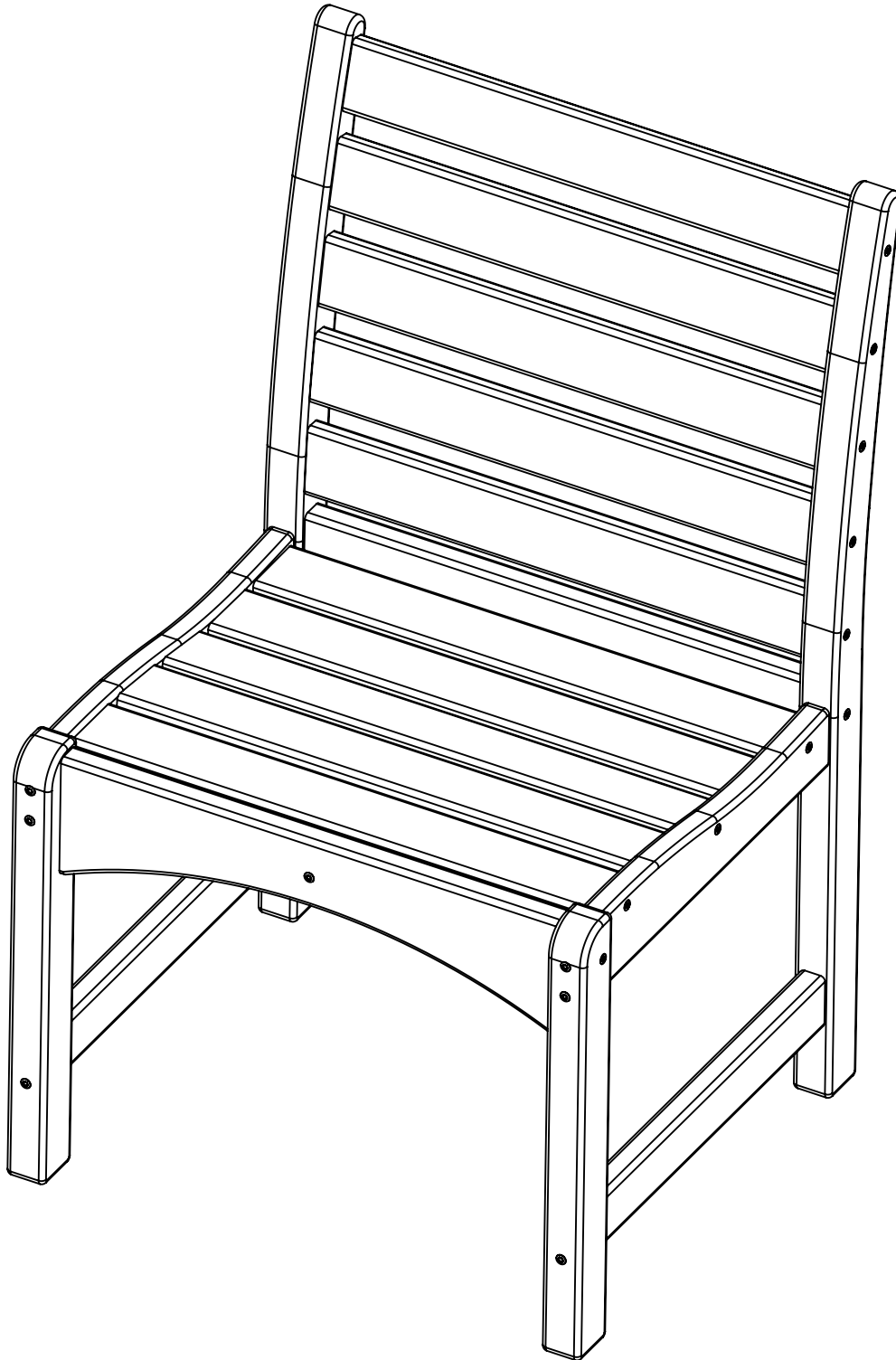
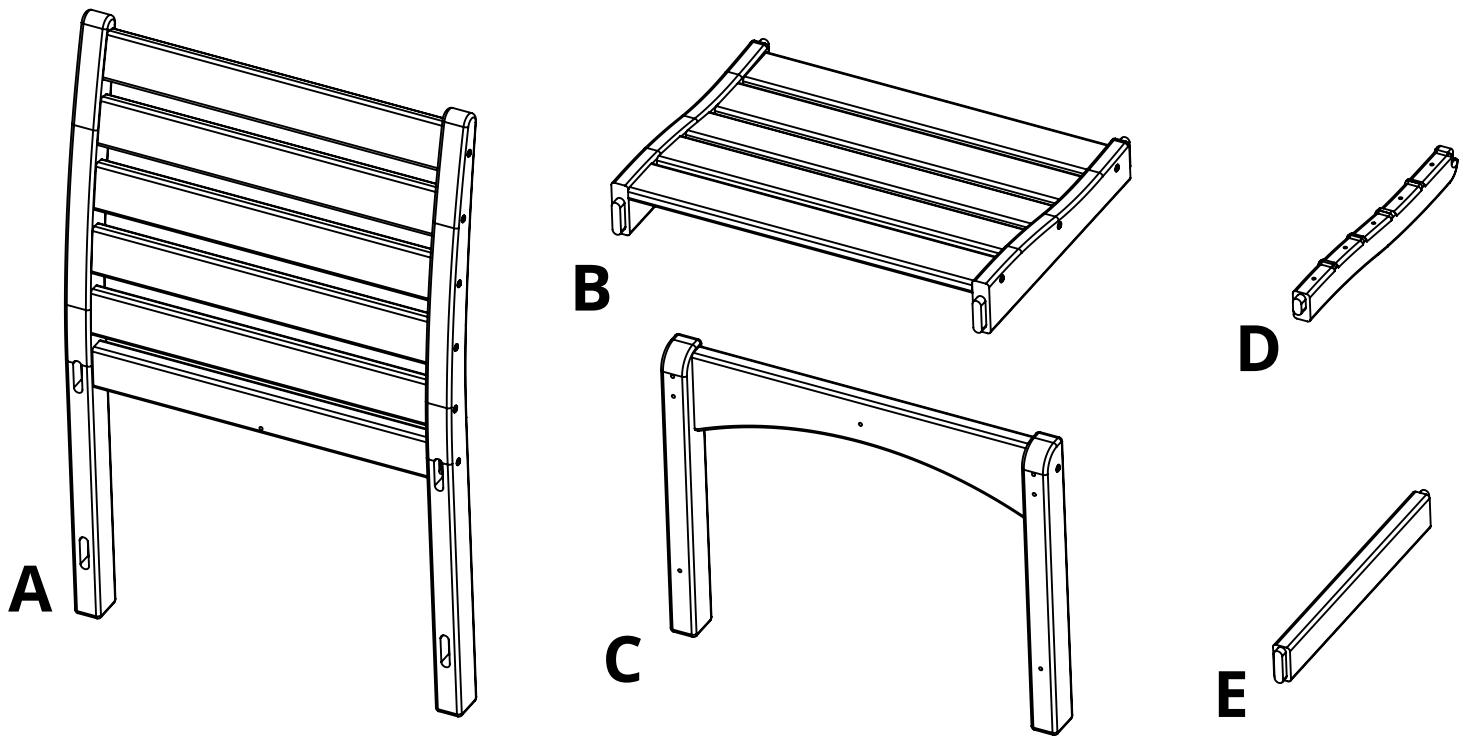


breezesta™

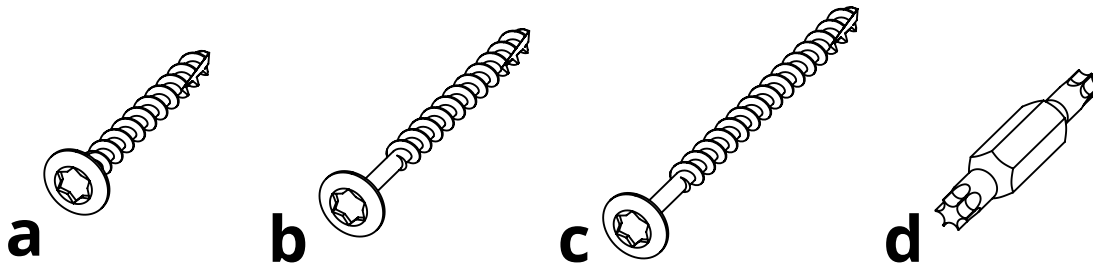
**PIEDMONT DINING SIDE CHAIR**  
**PT-0509**



REV00-1/19



<b>PARTS</b>			
<b>PART</b>	<b>DESCRIPTION</b>	<b>PART NO.</b>	<b>QTY</b>
A	BACK ASSEMBLY	SA-00208	1
B	SEAT ASSEMBLY	SA-00207	1
C	FRONT ASSEMBLY	SA-00206	1
D	SEAT SUPPORT	PRT00294	1
E	BASE SPREADER	PRT-00287	2

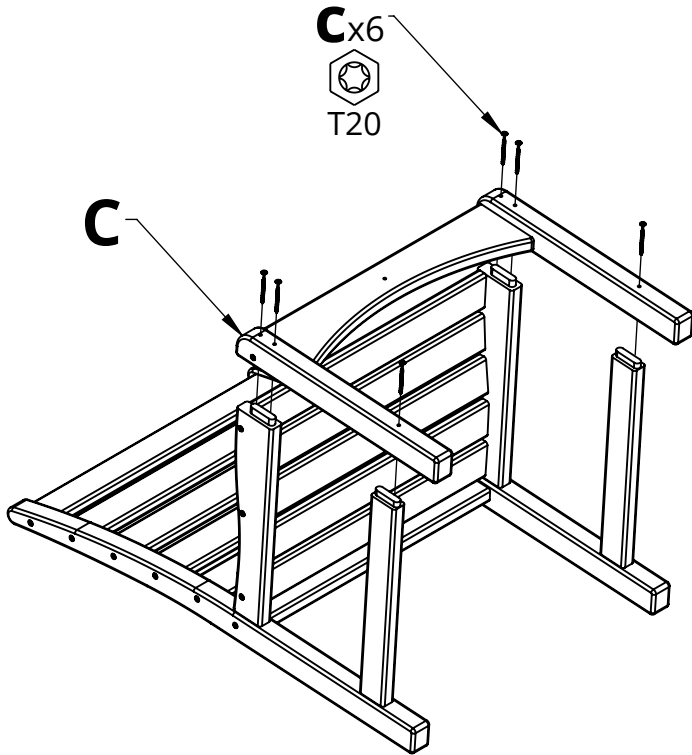
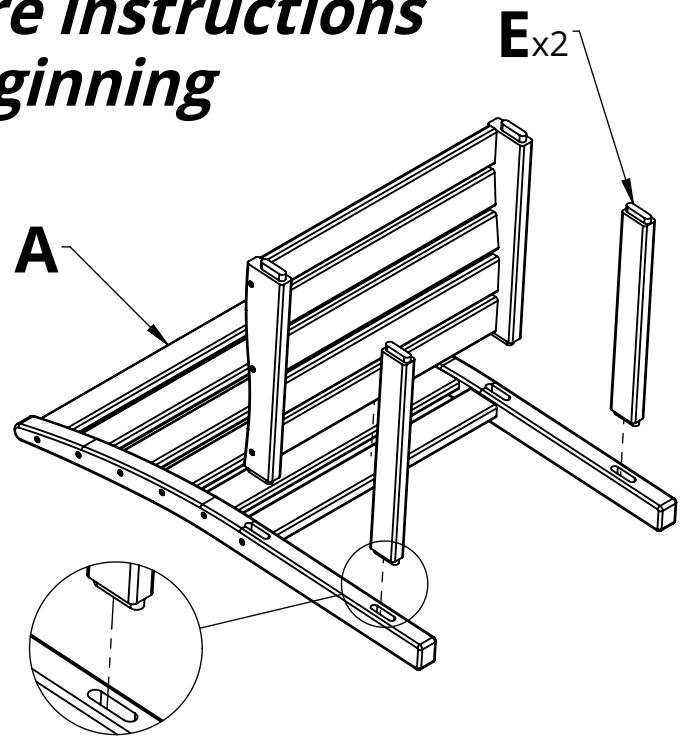


<b>HARDWARE</b>			
<b>PART</b>	<b>DESCRIPTION</b>	<b>PART NO.</b>	<b>QTY</b>
a	#8 X 1-1/2" TORX SCREW	H-0000-S815	1
b	#8 X 2" TORX SCREW	H-0000-S82	5
c	#8 X 2-1/2" TORX SCREW	H-0000-S825	13
d	T20 & T25 TORX BIT	H-0000-CTD	1

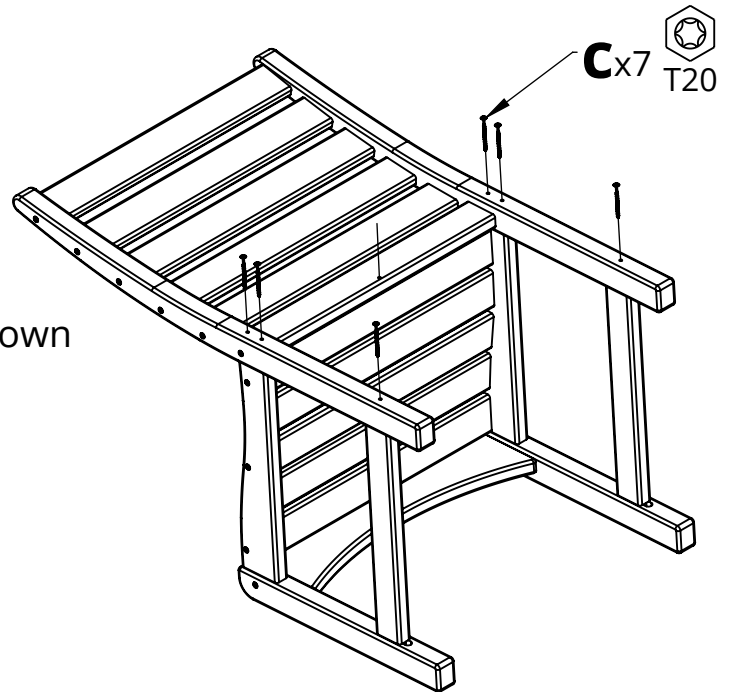
**Suggested Tools:** Drill, Plastic Mallet

# Please read entire instructions before beginning

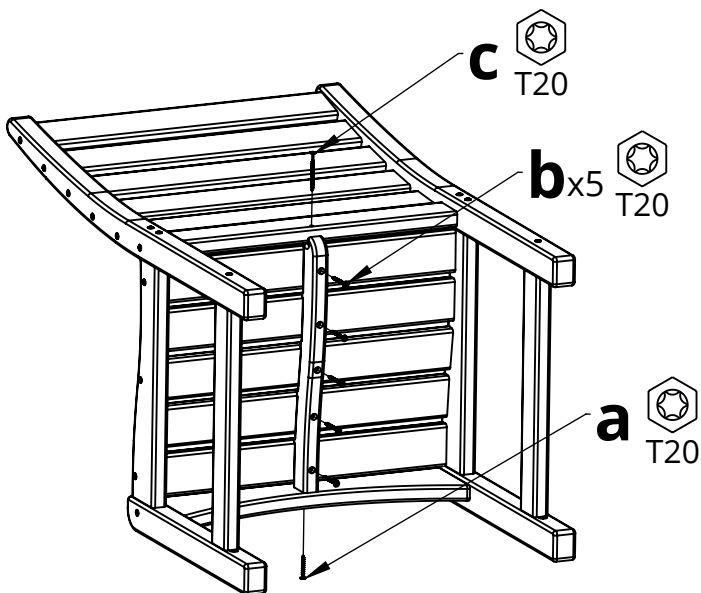
1. Place Parts E & B into A as shown



2. Attach Part C using the hardware shown



3. Turn the assembly over & attach it as shown



4. Connect Part D to the underside of Part B as shown