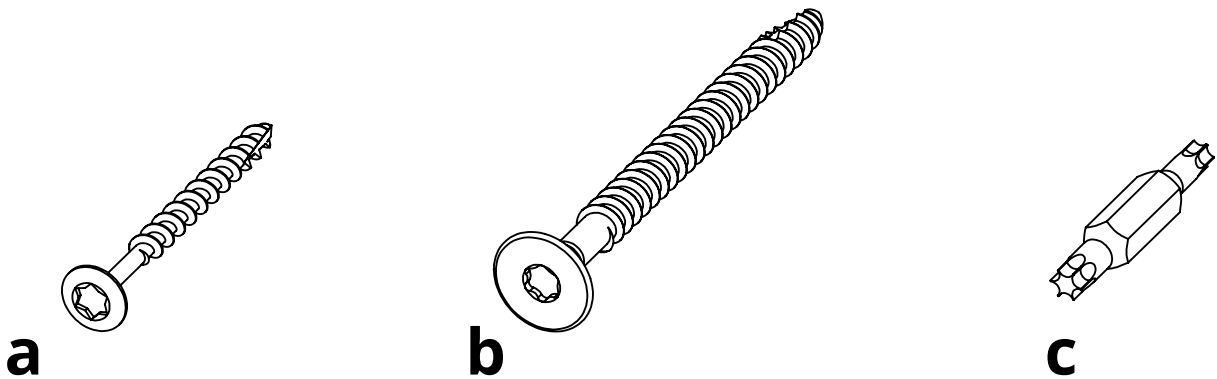


<b>PARTS</b>			
<b>PART</b>	<b>DESCRIPTION</b>	<b>PART NO.</b>	<b>QTY</b>
A	LEFT SIDE ASSEMBLY	SA-00274	1
B	RIGHT SIDE ASSEMBLY	SA-00275	1
C	LONG SPREADER	PRT-00557	3
D	TABLE TOP ASSEMBLY	SA-00276	1

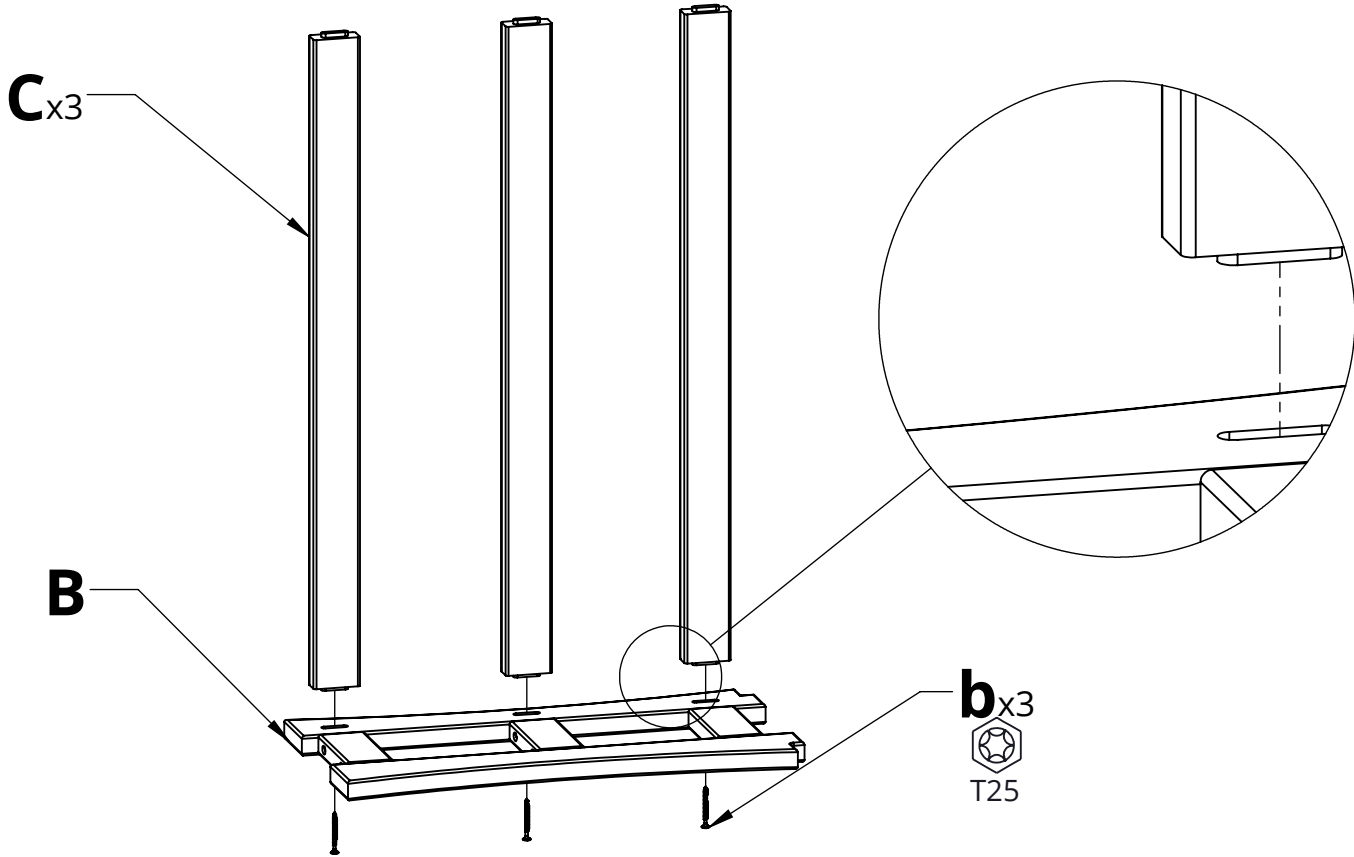


<b>HARDWARE</b>			
<b>PART</b>	<b>DESCRIPTION</b>	<b>PART NO.</b>	<b>QTY</b>
a	#8 X 2" TORX SCREW	H-0000-S815	4
b	1/4-10 x 3" LAG	H-0000-S103	6
e	TORX BIT	H-0000-CTD	1

**Suggested Tools:** Drill, Plastic Mallet

# Please read entire instructions before beginning

1. Attach Part C to Part B using Hardware b



2. Attach Part A to assembled piece from Step 1, Repeat Step 1

3. Attach assembled piece from Step 2 onto Part D using Hardware a

