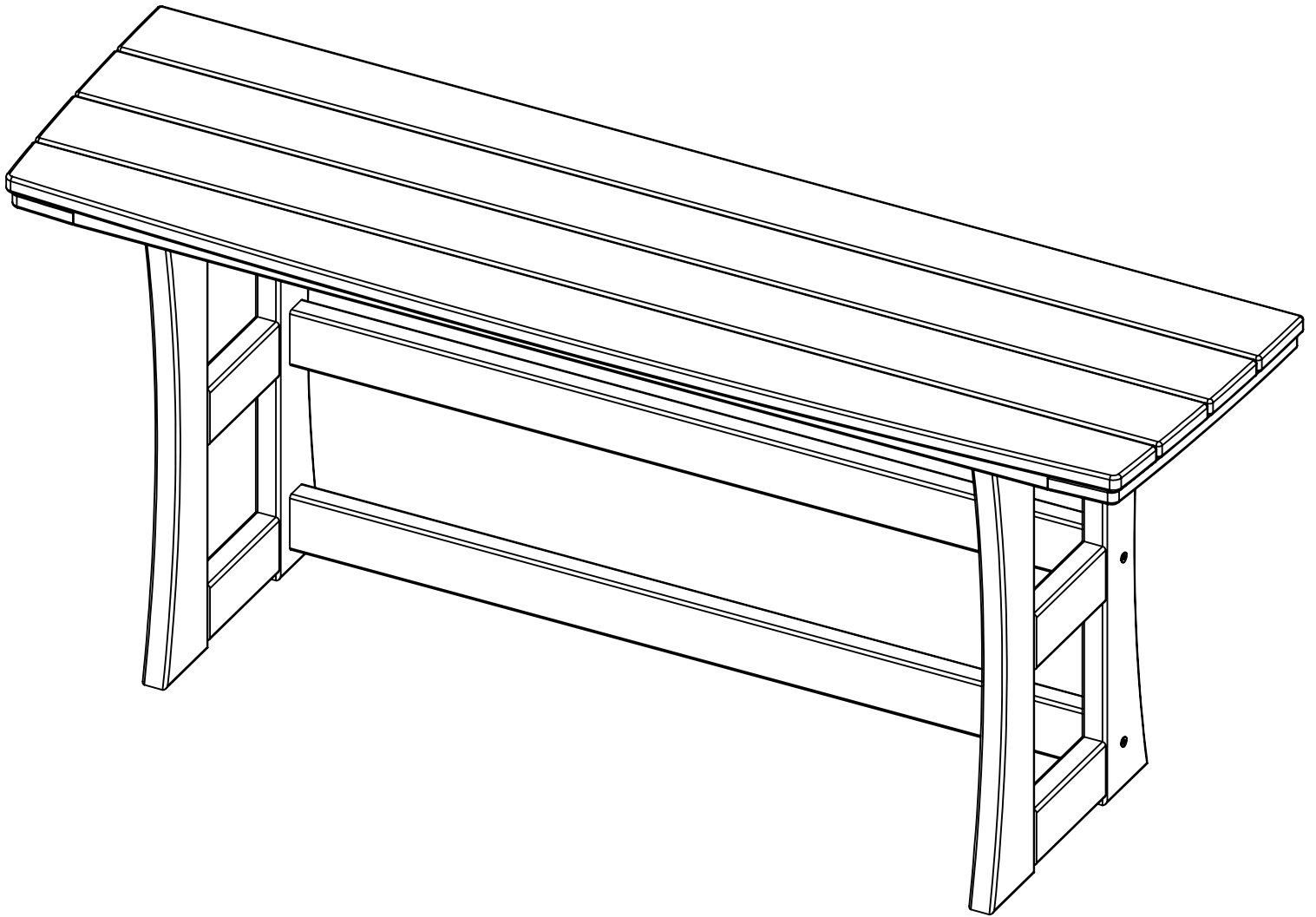
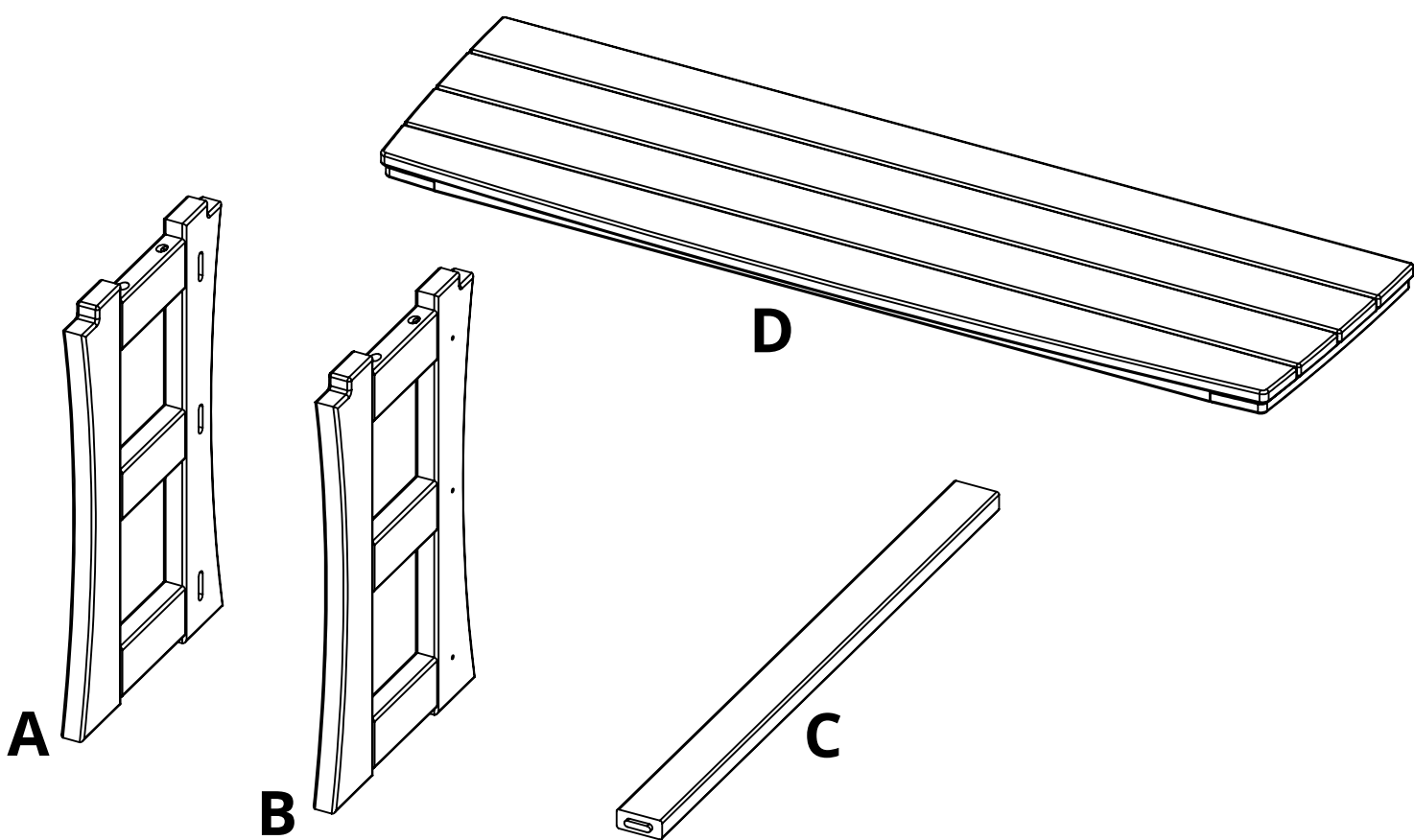


breezesta™

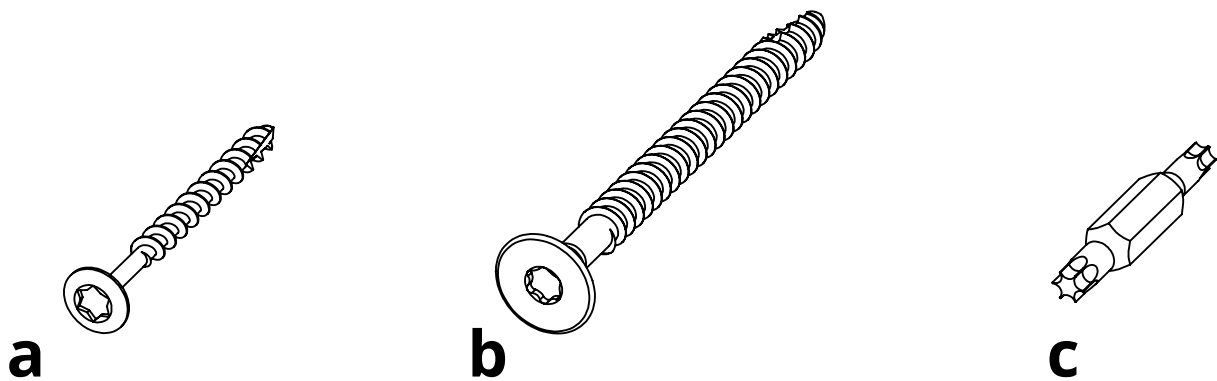
PIEDMONT DINING TERRACE TABLE
PT-0703



REV01-7/21



PARTS			
PART	DESCRIPTION	PART NO.	QTY
A	LEFT SIDE ASSEMBLY	SA-00278	1
B	RIGHT SIDE ASSEMBLY	SA-00279	1
C	LONG SPREADER	PRT-00557	3
D	TABLE TOP ASSEMBLY	SA-00276	1

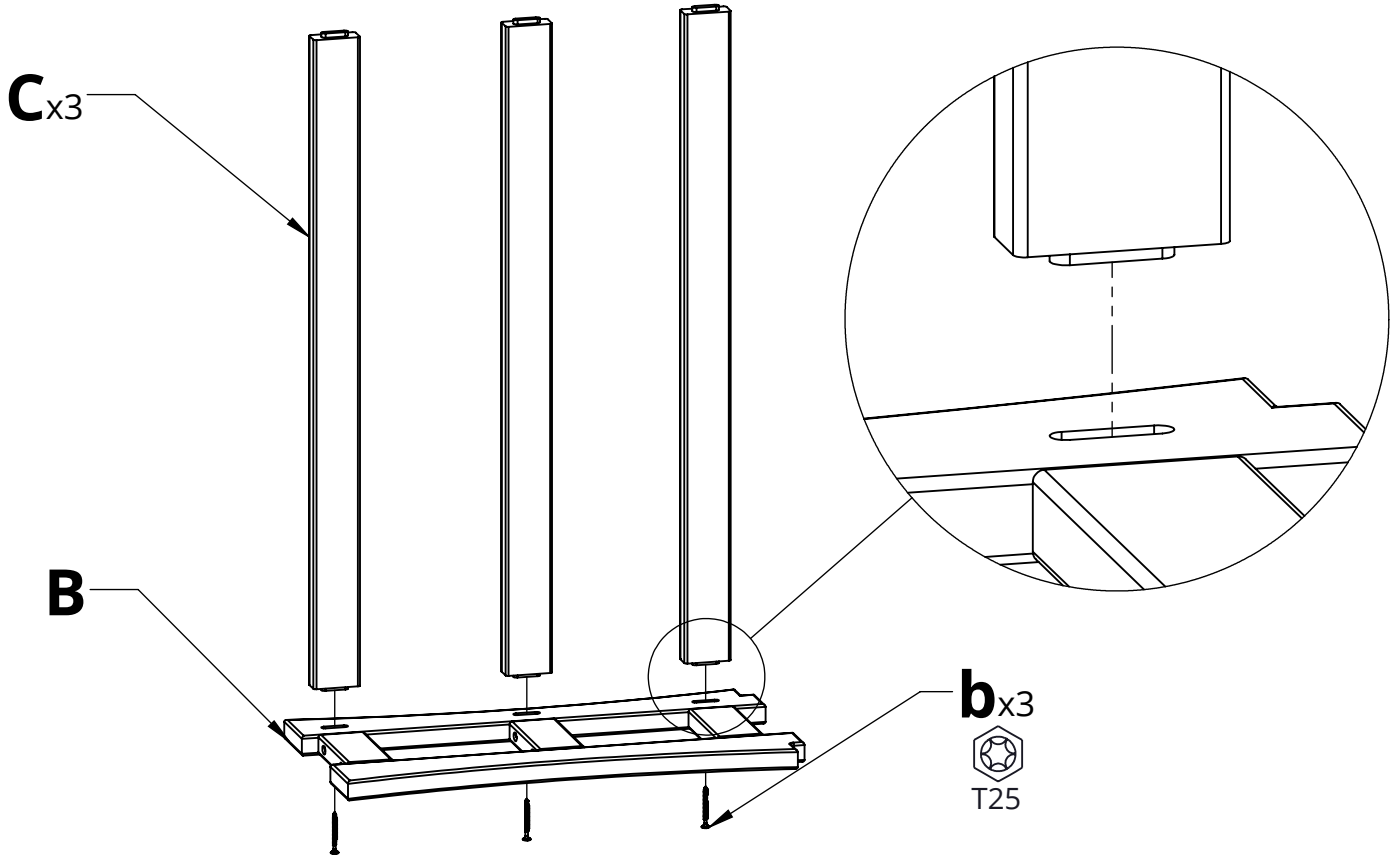


HARDWARE			
PART	DESCRIPTION	PART NO.	QTY
a	#8 X 2" TORX SCREW	H-0000-S815	4
b	1/4-10 X 3" LAG	H-0000-S103	6
e	TORX BIT	H-0000-CTD	1

Suggested Tools: Drill, Plastic Mallet

Please read entire instructions before beginning

- 1.** Attach Part C to Part B using Hardware b



- 2.** Attach Part A to assembled piece from Step 1, Repeat Step 1

- 3.** Attach assembled piece from Step 2 onto Part D using Hardware a

