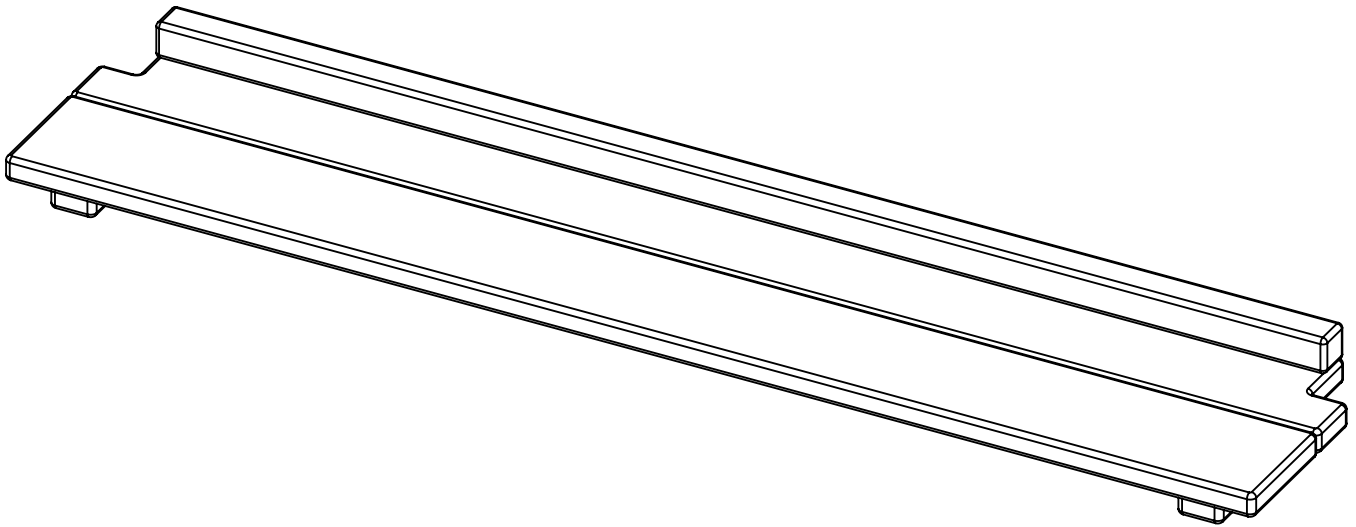
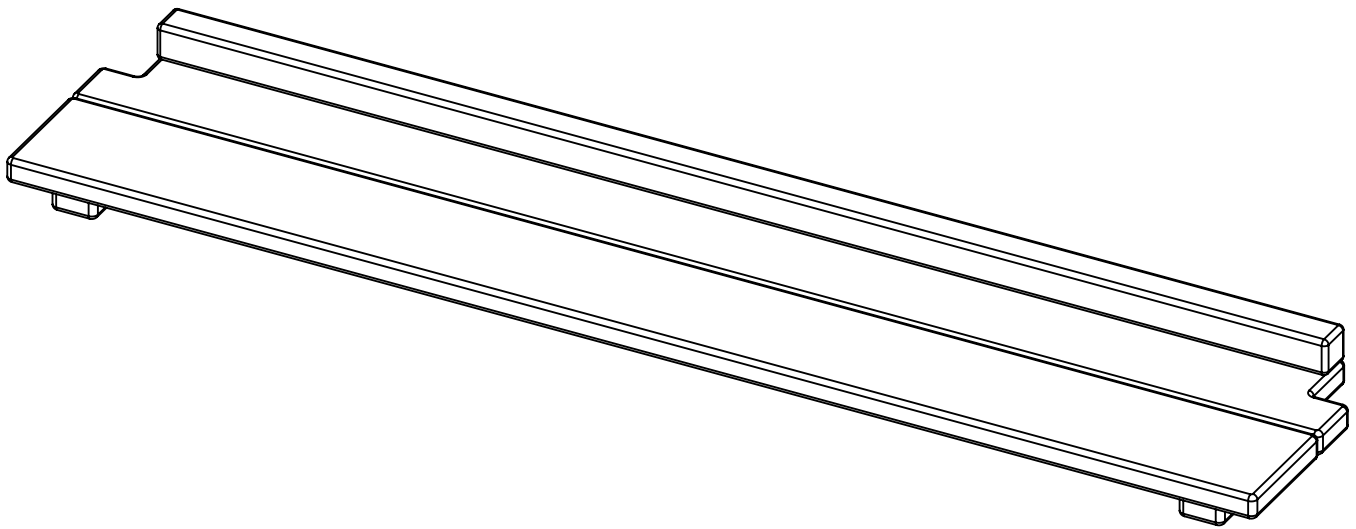


breezesta™

PIEDMONT TERRACE TABLE SHELF
PT-0710



REV00-1/19

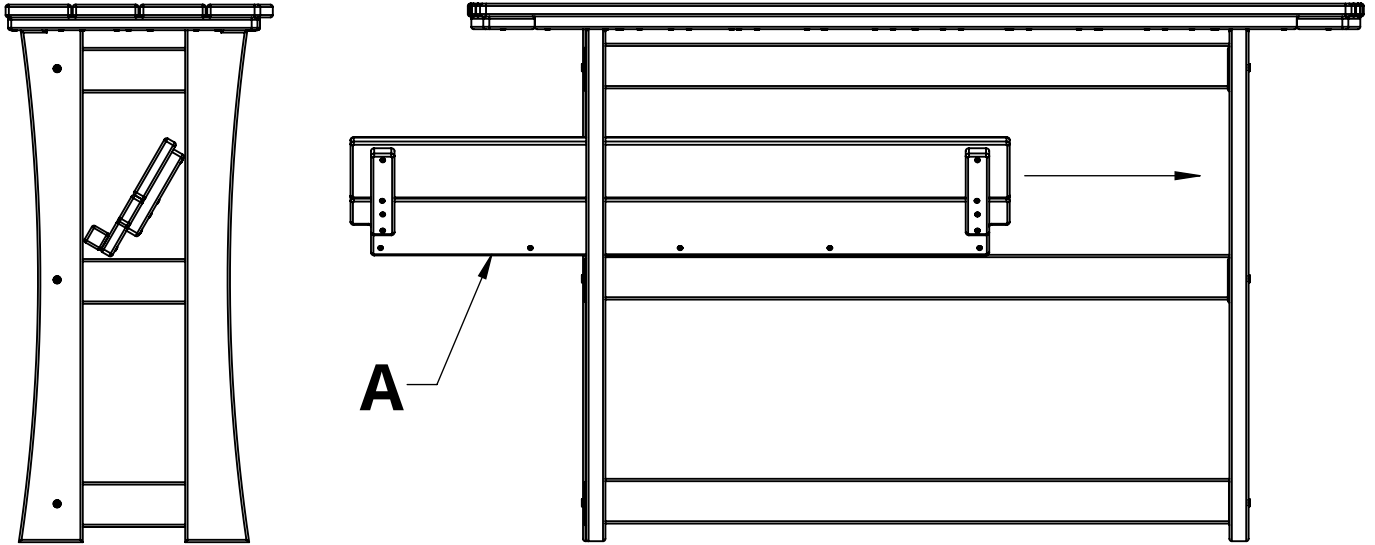


PARTS			
PART	DESCRIPTION	PART NO.	QTY
A	PIEDMONT TERRACE TABLE SHELF	PT-0710	1

Suggested Tools: Plastic Mallet

Please read entire instructions before beginning

- 1.** Rotate Part A as shown below;
push through the Terrace Table until it is flush with the opposite side



- 2.** Rotate Part A until it rests as shown

