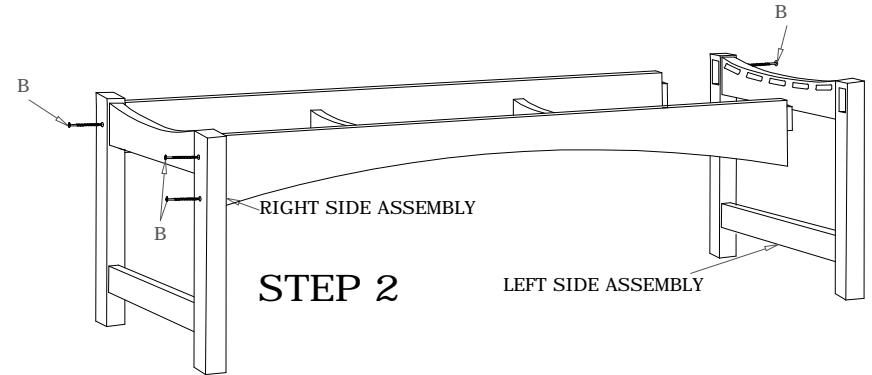
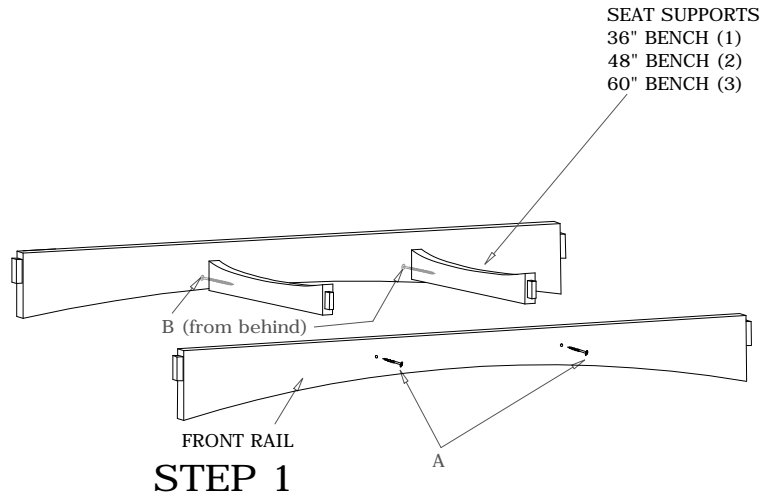


SKYLINE BACKLESS BENCH

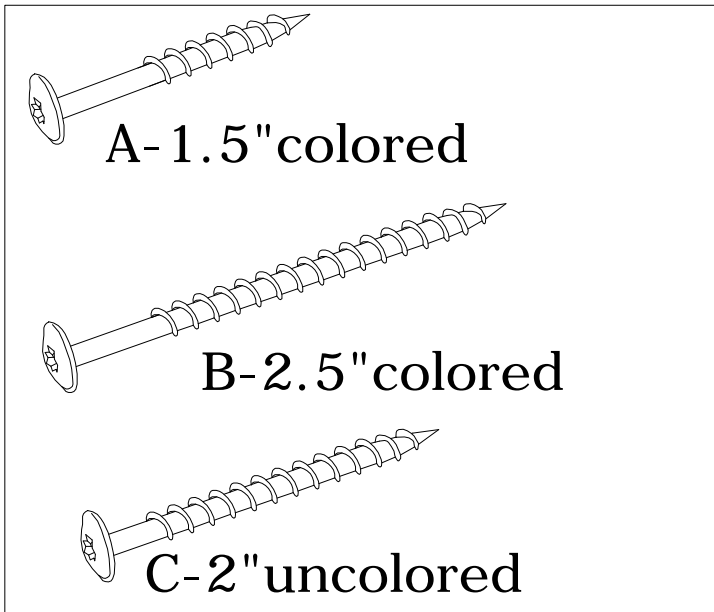
SK-0409

BREEZESTA tm
Recycled Poly Furniture



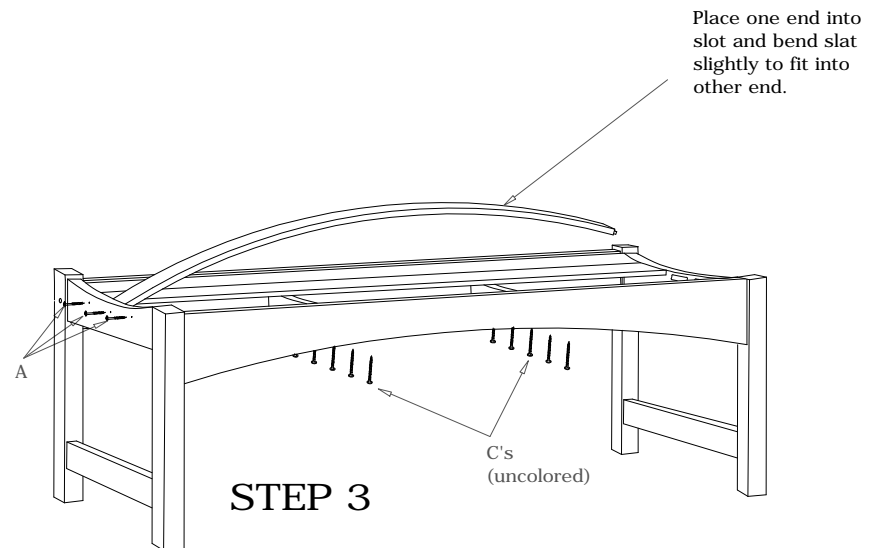
Place Seat Supports in place and using screws (A), attach the Rails as shown in the drawing

Attached Side Assemblies to Rail Assembly using screws (B) as shown.



- LIST OF PARTS
 Rails (2)
 End Assemblies (2)
 Seat Slats (5)
 Seat Supports (see chart)
 Hardware (see chart)
 Insert Bit Tool (1)

Bench Size	36"	48"	60"
Seat Supports	1	2	3
Screw "A"	8	10	12
Screw "B"	8	8	8
Screw "C"	5	10	15



Fit seat slats into bench as shown. From the bottom side use uncolored screws (C) to secure slats. Use screws (A) to attach Side Assemblies to Slats.