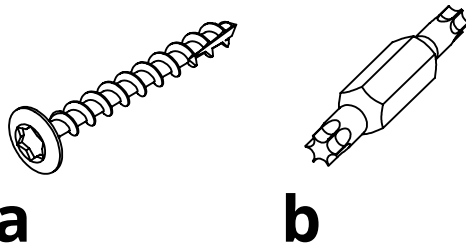


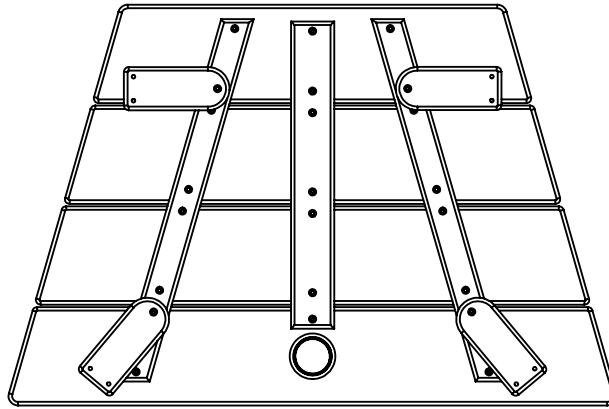
PARTS			
PART	DESCRIPTION	PART NO.	QTY
A	TETE-A-TETE ASSEMBLY	SA-00114	1



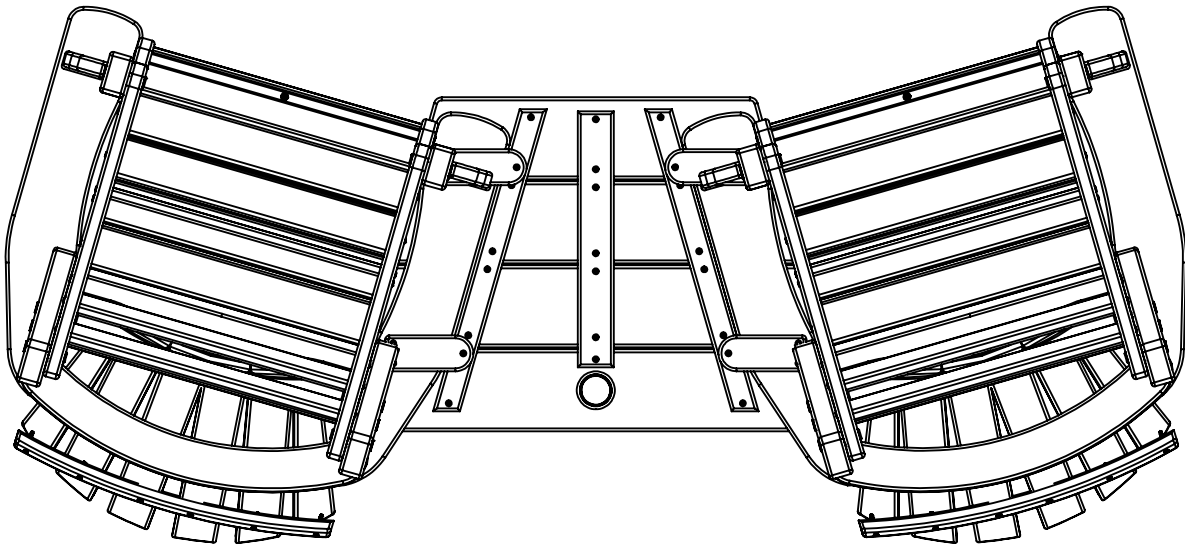
HARDWARE			
PART	DESCRIPTION	PART NO.	QTY
a	#8 X 1-1/2" TORX SCREW	H-0000-S815	8
b	T20 & T25 TORX BIT	H-0000-CTD	1

Suggested Tools: Drill

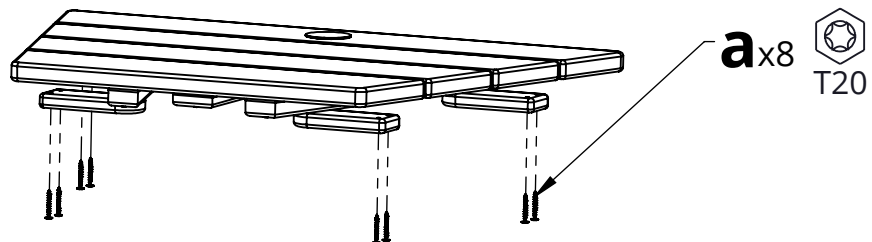
Please read entire instructions before beginning



- 1.** Rotate the connection arms underneath as shown



- 2.** Slide the chair arms between the Tete-a-Tete underside and the top of the connection arms & rotate the connection arms for full engagement



- 3.** Attach the Tete-a-Tete in place using the hardware shown