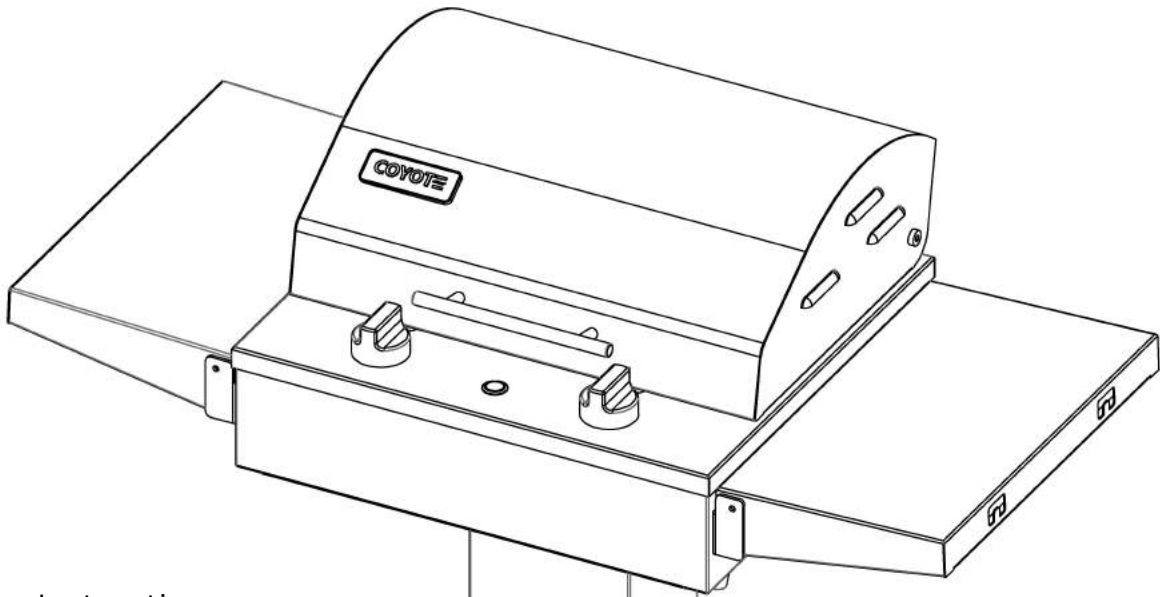
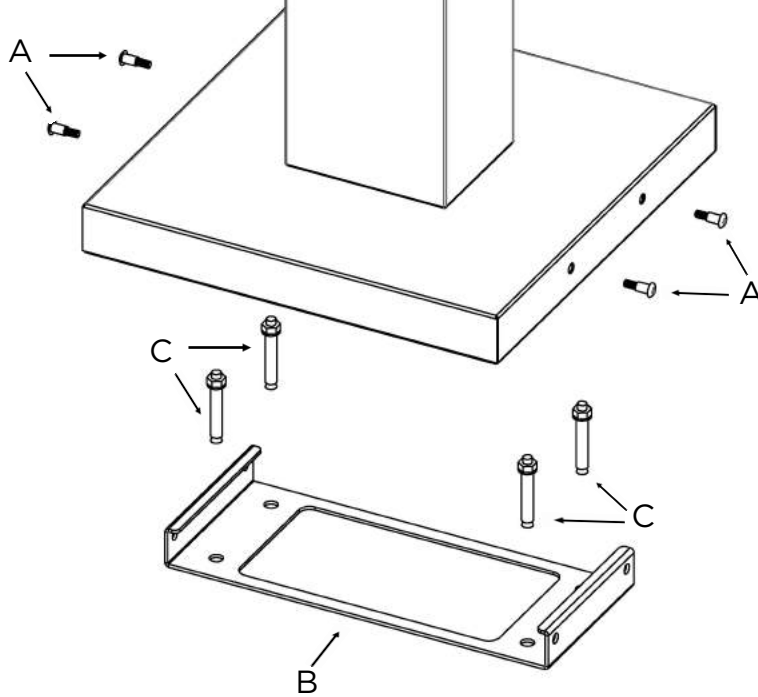


C1ELCT21 Permanent Mount Instructions



Installation Instructions:

1. Remove the 4 bolts (A) on the bottom of the stand
2. Locate the anchor plate (B) in its final position and mark your anchor points
3. Install your anchors and then secure your anchor plate to the ground
4. Insert the assembled pedestal stand onto the anchor plate and reattach the 4 bolts (A), securing the stand to the anchor plate



Important Note:

The anchors (C) shown in the above diagram are not included with the pedestal base and must be supplied by the installer/owner