

# DUOMO

## Pizza Oven by Coyote

**MSRP: \$2,799**

### Features

- One Piece Seamless Dome
- Active Heat Management System
  - Double Insulation
  - Interior Flame Channel
  - ThermoShift Chimney System
- Front Smoke Escape Design
- Ceramic Cooking Bricks
- Temperatures up to 1,000 degrees
- 4pc Toolkit Included

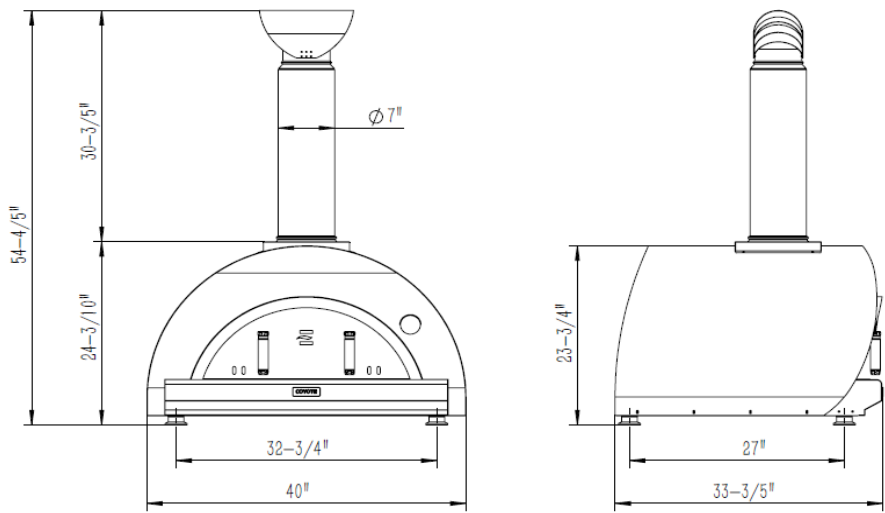
Indulge in the art of outdoor cooking with the DUOMO wood-fired outdoor pizza oven. Crafted to perfection, the DUOMO redefines the way you experience homemade pizzas. The one piece seamless design along with the three stage active heat management system, will transport you to the heart of traditional Italian pizzerias, where the unmistakable smoky aroma and blistered crusts create a culinary journey like no other.

Engineered for efficiency and ease, the DUOMO offers precise temperature control, ensuring every pie emerges with a perfect balance of crispiness and tenderness. The durable construction and insulated body retain heat for consistent performance, allowing you to explore a diverse range of dishes beyond pizzas – from rustic bread to succulent roasted meats.

Whether you're hosting gatherings, enjoying family dinners, or simply savoring moments of solitude, the DUOMO becomes the centerpiece of outdoor entertainment. Ignite your passion for cooking and gather loved ones around the warm glow, as you create cherished memories and share delectable, artisanal meals that elevate your outdoor experience.



### Dimensions



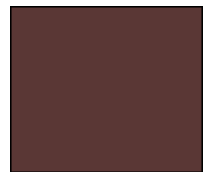
### Available Colors



**Yellow**



**Matte Black**



**Copper**

**Custom Colors Available (MOQ 72)**