

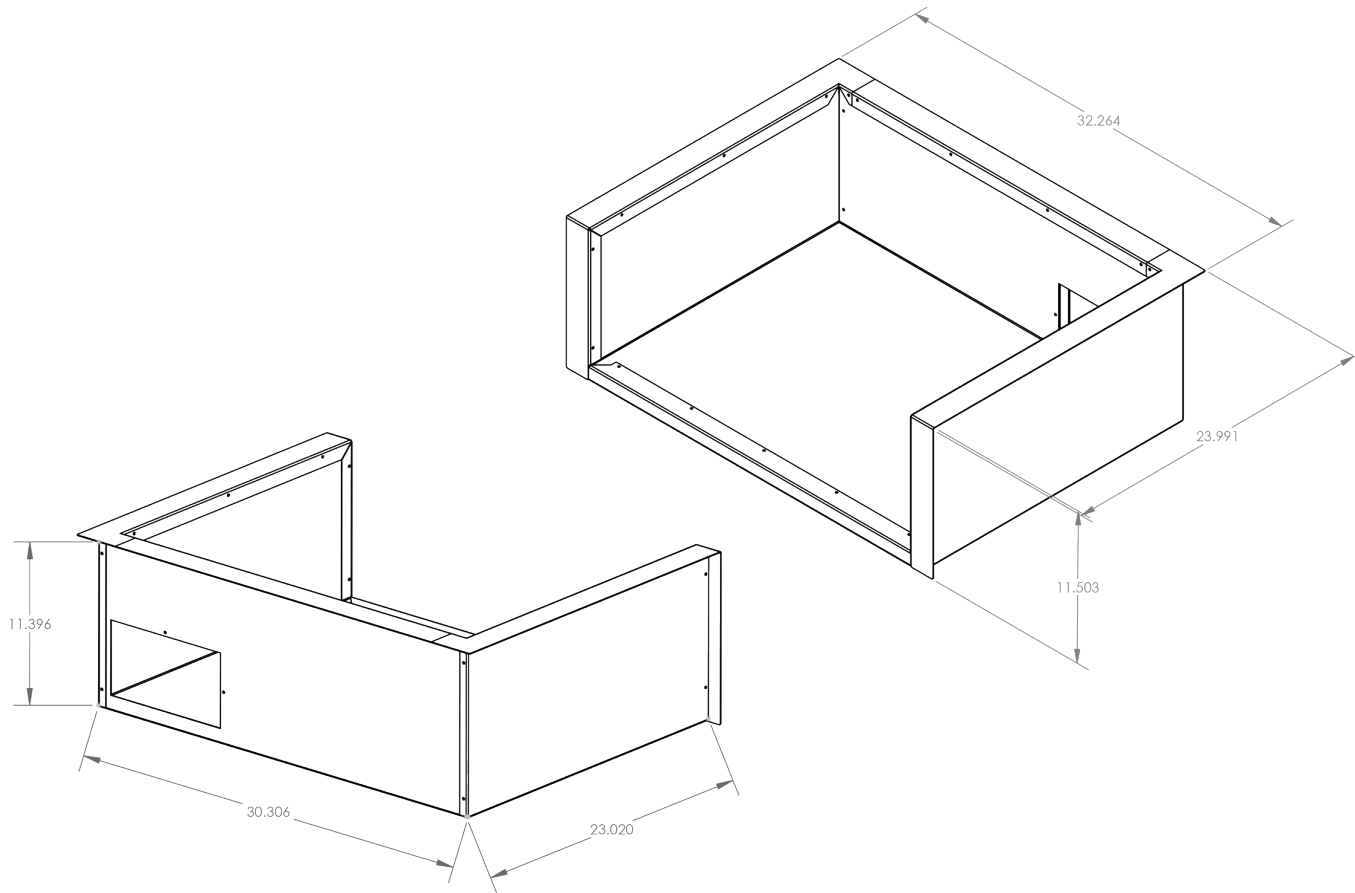
TrueFlame 30" Griddle Grill Liner

SKU: GL-GRID30

Recommended Cut-Out:  
30<sup>1</sup>/<sub>2</sub>" W x 11<sup>1</sup>/<sub>2</sub>" H x 23<sup>1</sup>/<sub>4</sub>" D

NOTES

---



DISCLAIMER

We recommend adding a 1/4" (.25) to the inner dimension to ensure the unit fits properly in the build out.