

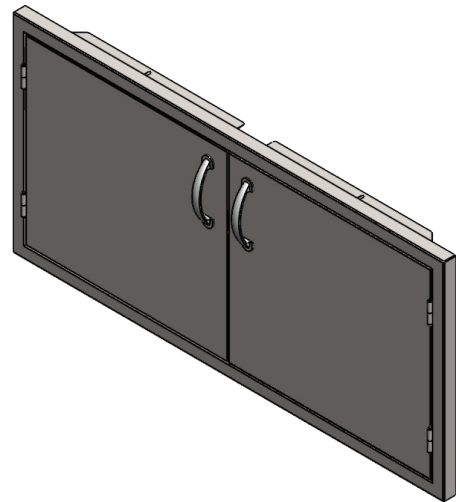
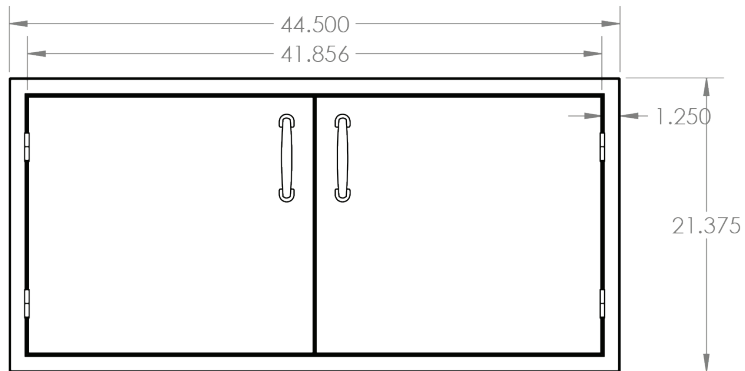
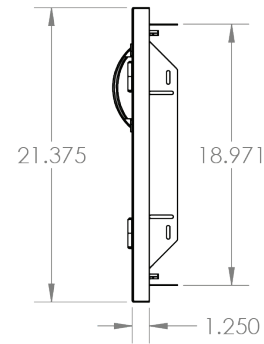
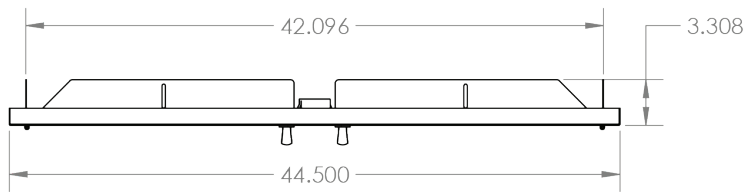
TrueFlame 45" Double Access Door  
Masonry Frame Return

SKU: SSDD-45M

Recommended Cut-Out:  
42<sup>3</sup>/<sub>8</sub>" W x 19<sup>1</sup>/<sub>4</sub>" H

NOTES

---



DISCLAIMER

We recommend adding a 1/4" (.25) to the inner dimension to ensure the unit fits properly in the build out.